



## Specifications

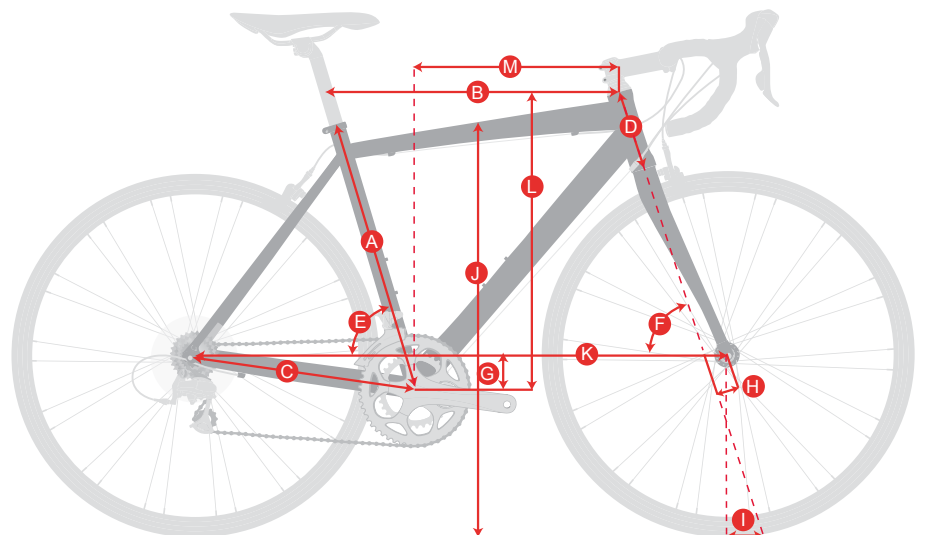
Garibaldi G2 • LIBIK0006

<b>Frame</b>	Hydroformed S-6 LT aluminum, disc, T12 axle
<b>Fork</b>	Full carbon, disc, T12 axle
<b>Shift levers</b>	Shimano GRX RX400
<b>Front derailleur</b>	Shimano GRX RX400
<b>Rear derailleur</b>	Shimano GRX RX400, Shadow Plus
<b>Crankset</b>	Shimano GRX RX600, 2-piece, 46/30T
<b>Bottom bracket</b>	Shimano RS500, external bearings
<b>Cassette</b>	Shimano HG500, 11-34T, 10-speed
<b>Chain</b>	KMC X10
<b>Front hub</b>	Shimano RS470, T12, center lock disc
<b>Rear hub</b>	Shimano RS470, T12, cassette, center lock disc
<b>Rims</b>	WTB STi19 TCS, 32h, disc
<b>Spokes</b>	14g, stainless steel
<b>Tires</b>	Vittoria Terreno foldable, 700 x 38c

<b>Saddle</b>	Selle Royal Vivo
<b>Seat post</b>	Caribou Panache 1, carbon, Ø27.2 mm
<b>Handlebar</b>	Caribou Panache AR, flared Compact bend, Ø31.8 mm
<b>Grips</b>	Garneau anti-slip
<b>Stem</b>	Caribou Panache 1, -7°
<b>Headset</b>	FSA Orbit C-40 ACB, 1 1/8" - 1 1/2"
<b>Brake levers</b>	Shimano GRX RX400, hydraulic
<b>Brakes</b>	Shimano GRX RX400, hydraulic disc
<b>Rotors</b>	Shimano RT64 center lock, 160 mm
<b>Pedals</b>	N/A
<b>Accessories</b>	N/A
<b>Sizes</b>	S-M-L-XL
<b>Color</b>	9SD / MOSS

## Geometries

Size	S	M	L	XL
<b>A- Seat tube length C/TOP</b>	460	490	520	550
<b>B- Effective top tube length</b>	527	545	567	586
<b>C- Chainstay length C/C</b>	430	430	430	430
<b>D- Head tube height</b>	120	140	160	180
<b>E- Seat tube angle</b>	73.75°	73.5°	73°	72.75°
<b>F- Head tube angle</b>	69.5°	71°	71.5°	72°
<b>G- Bottom bracket drop</b>	72	72	72	72
<b>H- Fork rake</b>	48	48	48	48
<b>I- Trail</b>	81	71	64	61
<b>J- Standover height</b>	742	769	793	817
<b>K- Wheelbase</b>	1024	1032	1046	1057
<b>L- Stack</b>	543	567	588	609
<b>M- Reach</b>	369	377	387	397





## Specifications

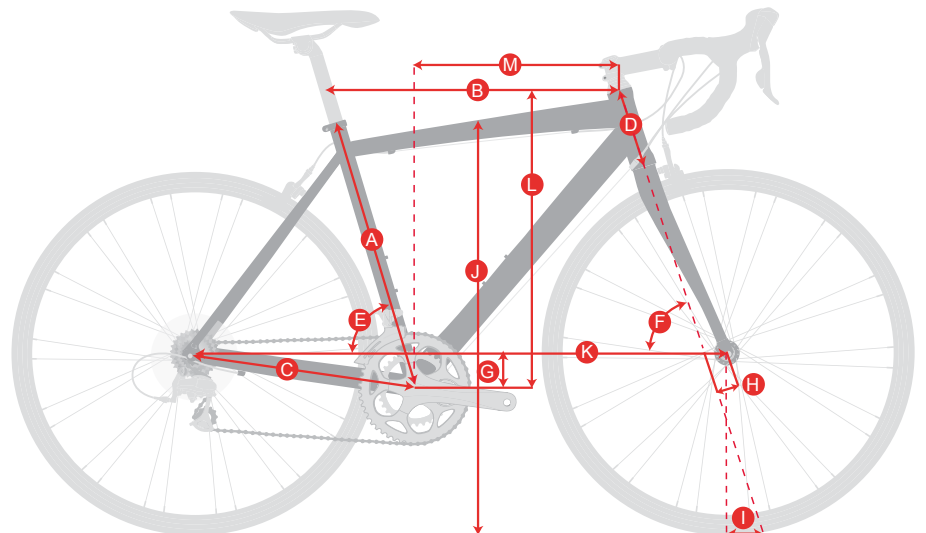
Garibaldi G3 · LIBIK0007

<b>Frame</b>	Hydroformed S-6 LT aluminum, disc, T12 axle
<b>Fork</b>	Full carbon, disc, T12 axle
<b>Shift levers</b>	Shimano Sora R3000
<b>Front derailleur</b>	Shimano Sora R3000
<b>Rear derailleur</b>	Shimano Sora R3000GS
<b>Crankset</b>	Prowheel RPL-521 TT, 2 pcs, 48/32T
<b>Bottom bracket</b>	Prowheel, external bearings
<b>Cassette</b>	Shimano HG201, 11-32T, 9-speed
<b>Chain</b>	KMC X9
<b>Front hub</b>	Shimano RS470, center lock disc
<b>Rear hub</b>	Shimano RS470, T12, cassette, center lock disc
<b>Rims</b>	WTB STi19 TCS, 32h, disc
<b>Spokes</b>	14g, stainless steel
<b>Tires</b>	Vittoria Terreno foldable, 700 x 38c

<b>Saddle</b>	Selle Royal Vivo
<b>Seat post</b>	Caribou Panache 2, Ø27.2 mm
<b>Handlebar</b>	Caribou Panache AR, flared Compact bend, Ø31.8 mm
<b>Grips</b>	Garneau anti-slip
<b>Stem</b>	Caribou Panache 1, -7°
<b>Headset</b>	FSA Orbit C-40 ACB, 1 1/8" - 1 1/2"
<b>Brake levers</b>	Shimano Sora R3000
<b>Brakes</b>	Promax DSK-718R, mechanical disc
<b>Rotors</b>	Center lock, 160 mm
<b>Pedals</b>	N/A
<b>Accessories</b>	Chain drop protector
<b>Sizes</b>	S-M-L-XL
<b>Color</b>	08X / ANTHRACITE BLUE

## Geometries

Size	S	M	L	XL
<b>A- Seat tube length C/TOP</b>	460	490	520	550
<b>B- Effective top tube length</b>	527	545	567	586
<b>C- Chainstay length C/C</b>	430	430	430	430
<b>D- Head tube height</b>	120	140	160	180
<b>E- Seat tube angle</b>	73.75°	73.5°	73°	72.75°
<b>F- Head tube angle</b>	69.5°	71°	71.5°	72°
<b>G- Bottom bracket drop</b>	72	72	72	72
<b>H- Fork rake</b>	48	48	48	48
<b>I- Trail</b>	81	71	64	61
<b>J- Standover height</b>	742	769	793	817
<b>K- Wheelbase</b>	1024	1032	1046	1057
<b>L- Stack</b>	543	567	588	609
<b>M- Reach</b>	369	377	387	397





## Specifications

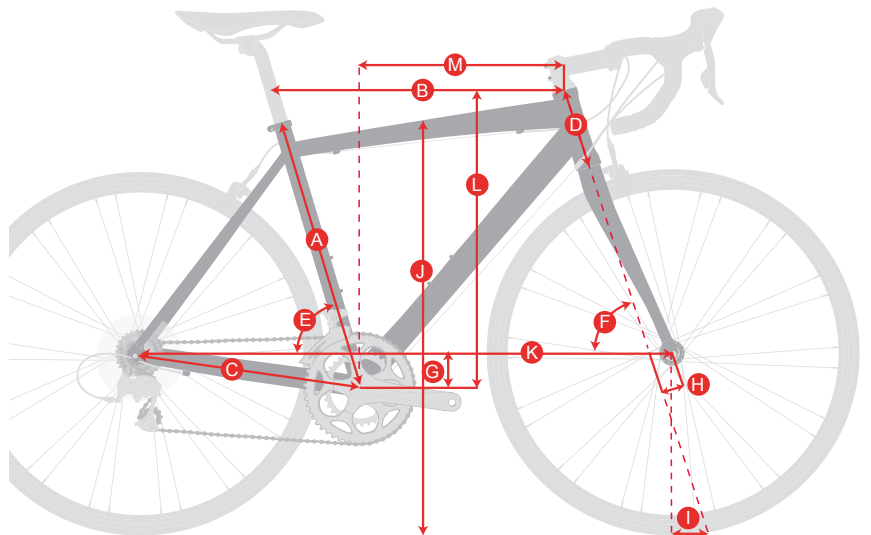
Garibaldi G4 • LIBIK0008

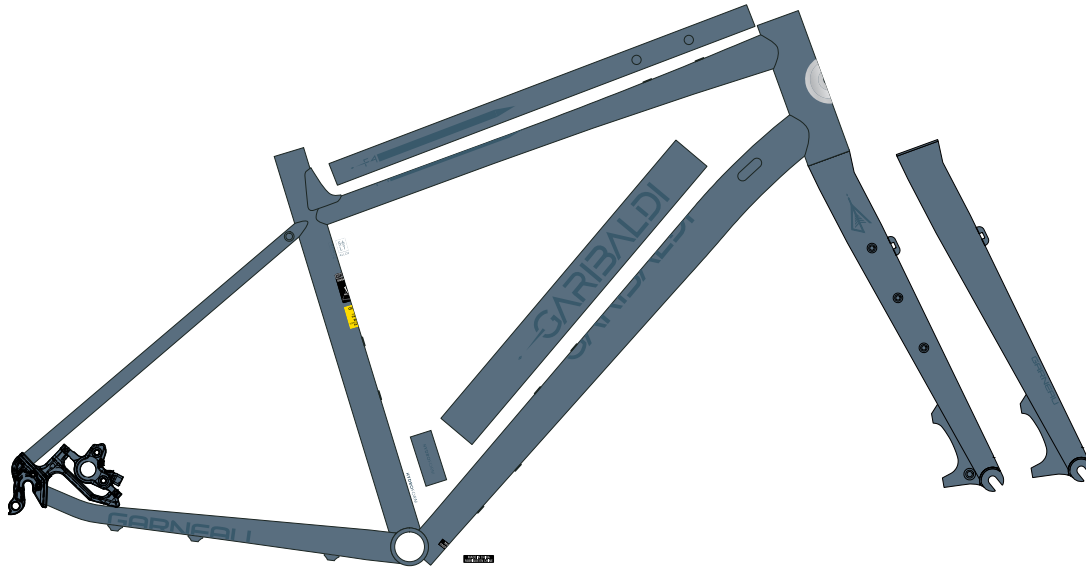
<b>Frame</b>	Hydroformed S-6 LT aluminum, disc
<b>Fork</b>	S-6 aluminum, disc
<b>Shift levers</b>	Shimano Claris R2000
<b>Front derailleur</b>	Shimano Claris R2000
<b>Rear derailleur</b>	Shimano Claris R2000 GS
<b>Crankset</b>	Prowheel RPL, 48/32T
<b>Bottom bracket</b>	square taper, 68 x 118mm
<b>Cassette</b>	DNP, 11-34T, 8-speed
<b>Chain</b>	KMC X8
<b>Front hub</b>	Shimano, center lock disc
<b>Rear hub</b>	Shimano, cassette, center lock disc
<b>Rims</b>	WTB STi19 TCS, 32h, disc
<b>Spokes</b>	14g, stainless steel
<b>Tires</b>	CY Gravel GP, 700 x 35c

<b>Saddle</b>	Selle Royal Vivo
<b>Seat post</b>	Caribou Panache 2, Ø27.2 mm
<b>Handlebar</b>	Caribou Panache 2, Compact bend, Ø31.8 mm
<b>Grips</b>	Garneau anti-slip
<b>Stem</b>	Caribou Panache 2, -7°
<b>Headset</b>	FSA ZS-4D, 1 1/8"
<b>Brake levers</b>	Shimano Claris R2000
<b>Brakes</b>	Promax DSK-330R, mechanical disc
<b>Rotors</b>	Center lock, 160 mm
<b>Pedals</b>	Test ride flats with toe clips
<b>Accessories</b>	Chain drop protector
<b>Sizes</b>	XS-S-M-L-XL
<b>Color</b>	9UA / SAND

## Geometries

Size	S	M	L	XL
<b>A- Seat tube length (mm)</b>	460	490	520	550
<b>B- Effective top tube length (mm)</b>	526	545	568	588
<b>C- Chain stay length (mm)</b>	430	430	430	430
<b>D- Head tube height (mm)</b>	110	130	150	170
<b>E- Seat tube angle (°)</b>	73.75°	73.5°	73°	72.75°
<b>F- Head tube angle (°)</b>	69.75°	71°	71.5°	72°
<b>G- Bottom bracket drop (mm)</b>	72	72	72	72
<b>H- Fork offset (mm)</b>	50	50	50	50
<b>I- Trail (mm)</b>	729	769	786	813
<b>J- Standover height (mm)</b>	1019	1024	1038	1057
<b>K- Wheelbase (mm)</b>	545	569	589	610
<b>L- Stack (mm)</b>	367	377	388	398





## Specifications

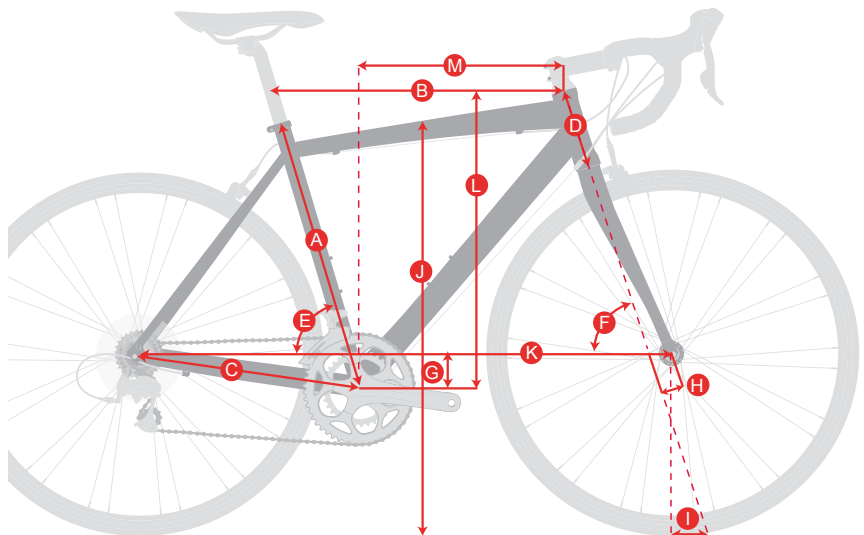
### GARIBALDI F4 · LIBIK0020

<b>Frame</b>	S-6 LT aluminum, disc
<b>Fork</b>	Explore S-6 aluminum, disc
<b>Shift levers</b>	Shimano Altus M315, Rapidfire plus
<b>Front derailleur</b>	Shimano Tourney TY710
<b>Rear derailleur</b>	Shimano Altus M2000 shadow
<b>Crankset</b>	Shimano TY501, 46-30T
<b>Bottom bracket</b>	Square taper, 73 x 122mm
<b>Cassette</b>	DNP, 11-34T, 8-speed
<b>Chain</b>	KMC Z8.1
<b>Front hub</b>	Shimano, center lock disc
<b>Rear hub</b>	Shimano, cassette, center lock disc
<b>Rims</b>	Torngat D21, 32h
<b>Spokes</b>	14g, Stainless steel
<b>Tires</b>	CY Gravel GP, 700 x 38c

<b>Saddle</b>	Selle Royal Vivo men
<b>Seat post</b>	Caribou Torngat 2, Ø31.6 mm
<b>Handlebar</b>	Caribou Torngat 2, 20mm rise, Ø31.8 mm
<b>Grips</b>	velo, lock-on
<b>Stem</b>	Caribou Torngat 2, 3"
<b>Headset</b>	FSA No.11N, 1 1/8"
<b>Brake levers</b>	Shimano MT200
<b>Brakes</b>	Shimano MT200, hydraulic disc
<b>Rotors</b>	Center lock, 160mm
<b>Pedals</b>	Platform
<b>Accessories</b>	N/A
<b>Sizes</b>	S-M-L
<b>Color</b>	9TG / SLATE

## Geometries

	S	M	L
<b>A</b> Seat tube length (mm)	420	470	520
<b>B</b> Effective top tube length (mm)	570	605	640
<b>C</b> Chain stay length (mm)	440	440	440
<b>D</b> Head tube height (mm)	140	170	200
<b>E</b> Seat tube angle (°)	73.5°	73°	73°
<b>F</b> Head tube angle (°)	70°	70°	70°
<b>G</b> Bottom bracket drop (mm)	70	70	70
<b>H</b> Fork offset (mm)	50	50	50
<b>I</b> Trail (mm)	75	75	75
<b>J</b> Standover height (mm)	TBD	TBD	TBD
<b>K</b> Wheelbase (mm)	1069	1110	1137
<b>L</b> Stack (mm)	573,5	602	630
<b>M</b> Reach (mm)	398	419	446





## Specifications

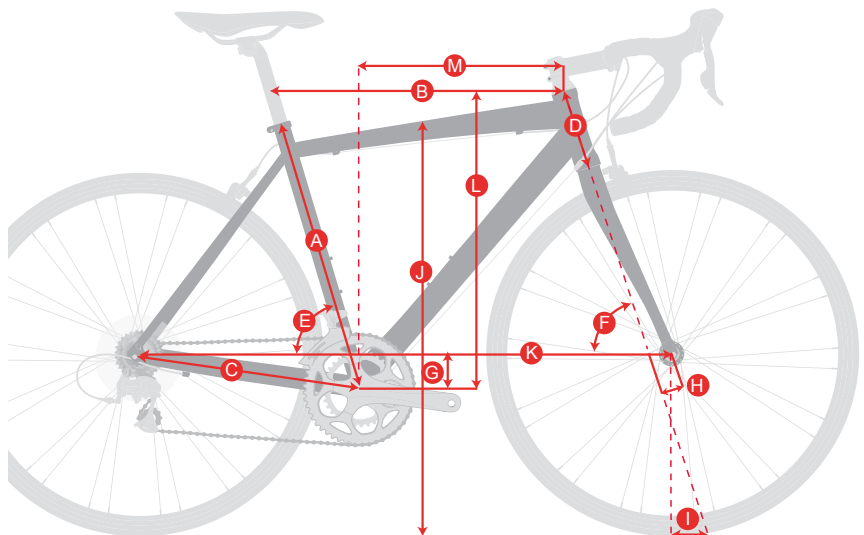
W's Garibaldi F4 · LIBIK0021

<b>Frame</b>	S-6 LT aluminum, disc
<b>Fork</b>	S-6 aluminum, disc
<b>Shift levers</b>	Shimano Altus M315, Rapidfire plus
<b>Front derailleur</b>	Shimano Tourney TY710
<b>Rear derailleur</b>	Shimano Altus M2000 shadow
<b>Crankset</b>	Shimano TY501, 46-30T
<b>Bottom bracket</b>	Square taper, 73 x 122mm
<b>Cassette</b>	DNP, 11-34T, 8-speed
<b>Chain</b>	KMC Z8.1
<b>Front hub</b>	Shimano, center lock disc
<b>Rear hub</b>	Shimano, cassette, center lock disc
<b>Rims</b>	Torngat D21, 32h
<b>Spokes</b>	14g, Stainless steel
<b>Tires</b>	CY Gravel GP, 700 x 38c

<b>Saddle</b>	Selle Royal Vivo women
<b>Seat post</b>	Caribou Torngat 2, Ø31.6 mm
<b>Handlebar</b>	Caribou Torngat 2, Ø31.6 mm
<b>Grips</b>	velo, lock-on
<b>Stem</b>	Caribou Torngat 2, 3"
<b>Headset</b>	FSA No.11N, 1 1/8"
<b>Brake levers</b>	Shimano MT200
<b>Brakes</b>	Shimano MT200, hydraulic disc
<b>Rotors</b>	Center lock, 160 mm
<b>Pedals</b>	Platform
<b>Accessories</b>	N/A
<b>Sizes</b>	S-M
<b>Color</b>	9UH / PLUM

## Geometries

	S	M
<b>A</b> Seat tube length (mm)	370	420
<b>B</b> Effective top tube length (mm)	535	570
<b>C</b> Chain stay length (mm)	440	440
<b>D</b> Head tube height (mm)	110	140
<b>E</b> Seat tube angle (°)	74°	73.5°
<b>F</b> Head tube angle (°)	69.5°	70°
<b>G</b> Bottom bracket drop (mm)	70	70
<b>H</b> Fork offset (mm)	50	50
<b>I</b> Trail (mm)	75	75
<b>J</b> Standover height (mm)	TBD	TBD
<b>K</b> Wheelbase (mm)	1042	1069
<b>L</b> Stack (mm)	543	573.5
<b>M</b> Reach (mm)	377	398





## Specifications

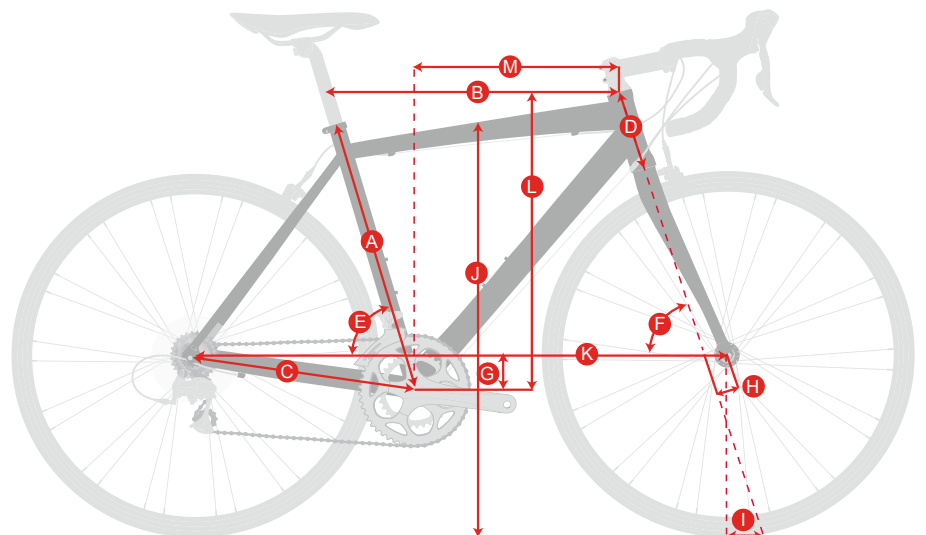
Gros Louis 2 · 2A41322

<b>Frame</b>	Hydroformed S-6 LT aluminum, disc, T12 x 190 mm axle
<b>Fork</b>	S-6 aluminum, disc, T15 x 150 mm axle
<b>Shift levers</b>	Sram SX Eagle
<b>Front derailleur</b>	N/A
<b>Rear derailleur</b>	Sram SX Eagle
<b>Crankset</b>	PW MPX-12, 2pcs, Narrow wide 28T
<b>Bottom bracket</b>	PW, external bearings, 120mm
<b>Cassette</b>	Sram PG-1210, 11-50T, 12-speed
<b>Chain</b>	KMC X12
<b>Front hub</b>	Caribou co., fat specific, T15x150mm, 6-bolts disc
<b>Rear hub</b>	Caribou co., fat specific, T12x197mm, cassette, 6-bolts disc
<b>Rims</b>	Sunringle Mulefüt 80SL v2, 32h
<b>Spokes</b>	14g, stainless steel
<b>Tires</b>	Schwalbe Jumbo Jim, foldable, 26 x 4.8"

<b>Saddle</b>	Garneau explore
<b>Seat post</b>	Tranz-X dropper, S:100mm M/L/XL:120mm travel, internal, Ø30.9 mm
<b>Handlebar</b>	Caribou Torngat 2, 15mm rise, Ø31.8 mm, 785mm
<b>Grips</b>	Double density, lock-on
<b>Stem</b>	Caribou Torngat 2, 3"
<b>Headset</b>	FSA ORBIT 1.5 ZS, 1 1/8"-1 1/2"
<b>Brake levers</b>	SRAM Level
<b>Brakes</b>	SRAM Level, hydraulic disc
<b>Rotors</b>	180 mm/160 mm, 6-bolt
<b>Pedals</b>	Alloy platform
<b>Accessories</b>	N/A
<b>Sizes</b>	S-M-L-XL
<b>Color</b>	9UX - SILVER SNOW

## Geometries

Size	S	M	L	XL
A- Seat tube length C/TOP	395	445	495	545
B- Effective top tube length	603	625	647	671
C- Chainstay length C/C	440	440	440	440
D- Head tube height	105	115	125	135
E- Seat tube angle	74.5°	74.5°	74.5°	74.5°
F- Head tube angle	69°	69°	69°	69°
G- Bottom bracket drop	68	68	68	68
H- Fork rake	51	51	51	51
I- Trail	95	95	95	95
J- Standover height	680	706	735	763
K- Wheelbase	1130	1154	1177	1201
L- Stack	602	612	621	630
M- Reach	435	455	475	495





## Specifications

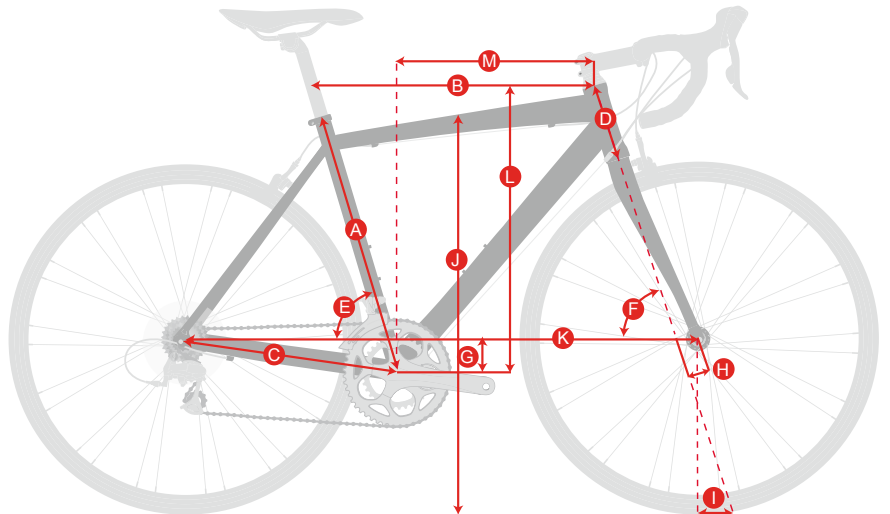
Gros Louis 3 · 2A41393

<b>Frame</b>	Hydroformed S-6 LT aluminum, disc, QR10 x 190 mm axle
<b>Fork</b>	S-6 aluminum, disc, QR10 x 150 mm axle
<b>Shift levers</b>	GL80 alloy, Caribou co. Fat specific disc hubs
<b>Front derailleur</b>	N/A
<b>Rear derailleur</b>	Microshift Advent, w/clutch
<b>Crankset</b>	Prowheel MPX-11, 2-piece, narrow wide 26T
<b>Bottom bracket</b>	PW, external bearings, 120mm
<b>Cassette</b>	Microshift H093 , 11-42T, 9-speed
<b>Chain</b>	KMC X9 EPT
<b>Front hub</b>	Caribou co., fat specific, QR10x150mm, 6-bolts disc
<b>Rear hub</b>	Caribou co., fat specific, QR10x190mm, cassette, 6-bolts disc
<b>Rims</b>	GL80 alloy, 80mm, disc, 32h
<b>Spokes</b>	14g, stainless steel
<b>Tires</b>	CY H-5176, 26 x 4.9»

<b>Saddle</b>	Garneau explore
<b>Seat post</b>	Satori dropper, XS/S:100mm M/L/XL:120mm travel, internal, Ø30.9 mm
<b>Handlebar</b>	Caribou Torngat 2, 15mm rise, Ø31.8 mm, 785mm
<b>Grips</b>	Double density, lock-on
<b>Stem</b>	Caribou Torngat 2, 3"
<b>Headset</b>	FSA ORBIT 1.5 ZS, 1 1/8"-1 1/2"
<b>Brake levers</b>	Sram Level
<b>Brakes</b>	Sram Level hydraulic disc
<b>Rotors</b>	180 mm/160 mm, 6-bolt
<b>Pedals</b>	Resin platform, with pins
<b>Accessories</b>	N/A
<b>Sizes</b>	S-M-L-XL
<b>Color</b>	9UY - GRANIT

## Geometries

Size	XS	S	M	L	XL
<b>A- Seat tube length C/TOP</b>	345	395	445	495	545
<b>B- Effective top tube length</b>	508	602	625	648	670
<b>C- Chainstay length C/C</b>	440	440	440	440	440
<b>D- Head tube height</b>	95	110	130	150	135
<b>E- Seat tube angle</b>	74.5°	74.5°	74.5°	74.5°	74.5°
<b>F- Head tube angle</b>	69°	69°	69°	69°	69°
<b>G- Bottom bracket drop</b>	68	68	68	68	68
<b>H- Fork rake</b>	51	51	51	51	51
<b>I- Trail</b>	95	95	95	95	95
<b>J- Standover height</b>	652	680	707	734	763
<b>K- Wheelbase</b>	1107	1130	1154	1177	1201
<b>L- Stack</b>	593	602	612	621	630
<b>M- Reach</b>	415	435	455	475	495





## Specifications

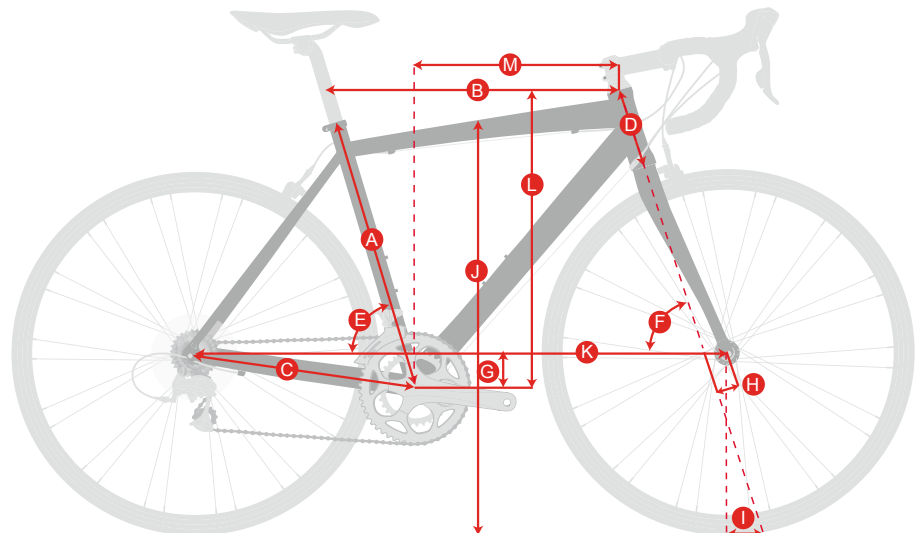
Trust 26 · LIBIK0033

<b>Frame</b>	S-6 aluminum
<b>Fork</b>	Zoom 565 suspension, 80 mm travel
<b>Shift levers</b>	Shimano EF500, EZ-Fire Plus
<b>Front derailleur</b>	Shimano Tourney TY500
<b>Rear derailleur</b>	Shimano Tourney TY300
<b>Crankset</b>	PW, 42/34/24T
<b>Bottom bracket</b>	Square taper, 68 x 119 mm
<b>Cassette</b>	Freewheel 13-32T, 7-speed
<b>Chain</b>	KMC Z7
<b>Front hub</b>	KT, Aluminum, disc
<b>Rear hub</b>	KT, Aluminum, freewheel, disc
<b>Rims</b>	Star Circle J19ST, 26", 32h
<b>Spokes</b>	14g, stainless steel
<b>Tires</b>	26 x 2.1"

<b>Saddle</b>	Garneau explore
<b>Seat post</b>	Aluminum, 1-bolt, Ø27.2 mm
<b>Handlebar</b>	Aluminum, 20 mm rise, Ø31.8 mm
<b>Grips</b>	Garneau Junior
<b>Stem</b>	Aluminum, Ahead, 7°
<b>Headset</b>	Threadless, 1 1/8"
<b>Brake levers</b>	Shimano EF500
<b>Brakes</b>	Promax TX-122, V-type
<b>Pedals</b>	Platform
<b>Accessories</b>	N/A
<b>Sizes</b>	XS-S-M-L
<b>Color</b>	9SK / PURPLE CRUSH

## Geometries

Size	XS	S	M	L
<b>A- Seat tube length C/TOP</b>	330	381	432	481
<b>B- Effective top tube length</b>	528	541	563	580
<b>C- Chainstay length C/C</b>	430	430	430	430
<b>D- Head tube height</b>	90	100	110	165
<b>E- Seat tube angle</b>	74.5°	74°	73°	73°
<b>F- Head tube angle</b>	69°	69°	69°	69°
<b>G- Bottom bracket drop</b>	40	40	40	40
<b>H- Fork rake</b>	40	40	40	40
<b>I- Trail</b>	92	92	92	92
<b>J- Standover height</b>	720	744	774	850
<b>K- Wheelbase</b>	1043	1052	1064	1082
<b>L- Stack</b>	559	566	578	596
<b>M- Reach</b>	372	378	387	399







## Specifications

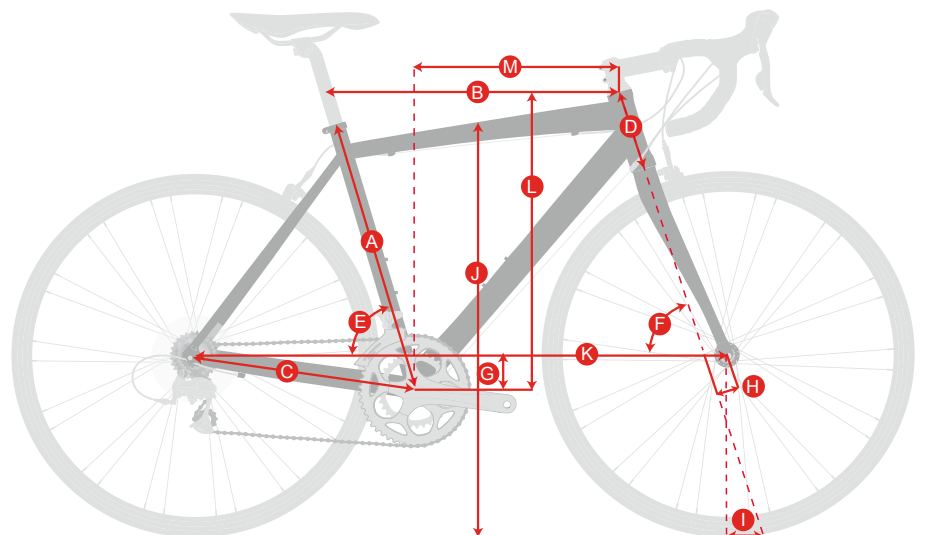
Trust 26 · LIBIK0033

<b>Frame</b>	S-6 aluminum
<b>Fork</b>	Zoom 565 suspension, 80 mm travel
<b>Shift levers</b>	Shimano EF500, EZ-Fire Plus
<b>Front derailleur</b>	Shimano Tourney TY500
<b>Rear derailleur</b>	Shimano Tourney TY300
<b>Crankset</b>	PW, 42/34/24T
<b>Bottom bracket</b>	Square taper, 68 x 119 mm
<b>Cassette</b>	Freewheel 13-32T, 7-speed
<b>Chain</b>	KMC Z7
<b>Front hub</b>	KT, Aluminum, disc
<b>Rear hub</b>	KT, Aluminum, freewheel, disc
<b>Rims</b>	Star Circle J19ST, 26", 32h
<b>Spokes</b>	14g, stainless steel
<b>Tires</b>	26 x 2.1"

<b>Saddle</b>	Garneau explore
<b>Seat post</b>	Aluminum, 1-bolt, Ø27.2 mm
<b>Handlebar</b>	Aluminum, 20 mm rise, Ø31.8 mm
<b>Grips</b>	Garneau Junior
<b>Stem</b>	Aluminum, Ahead, 7°
<b>Headset</b>	Threadless, 1 1/8"
<b>Brake levers</b>	Shimano EF500
<b>Brakes</b>	Promax TX-122, V-type
<b>Pedals</b>	Platform
<b>Accessories</b>	N/A
<b>Sizes</b>	XS-S-M-L
<b>Color</b>	9RU / WOODLAND

## Geometries

Size	XS	S	M	L
A- Seat tube length C/TOP	330	381	432	481
B- Effective top tube length	528	541	563	580
C- Chainstay length C/C	430	430	430	430
D- Head tube height	90	100	110	165
E- Seat tube angle	74.5°	74°	73°	73°
F- Head tube angle	69°	69°	69°	69°
G- Bottom bracket drop	40	40	40	40
H- Fork rake	40	40	40	40
I- Trail	92	92	92	92
J- Standover height	720	744	774	850
K- Wheelbase	1043	1052	1064	1082
L- Stack	559	566	578	596
M- Reach	372	378	387	399





## Specifications

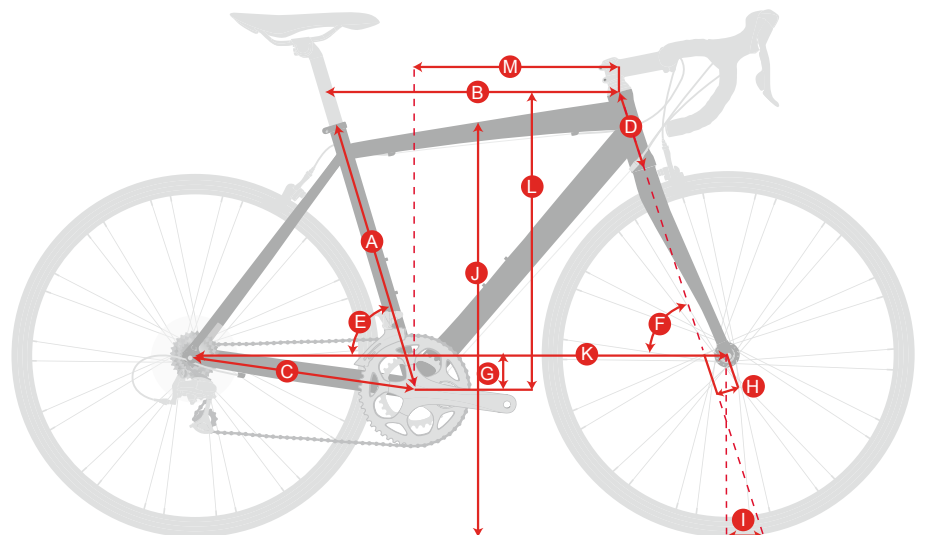
Trust 24 · LIBIK0036

<b>Frame</b>	HTS steel
<b>Fork</b>	Zoom 565 suspension, 50 mm travel
<b>Shift levers</b>	Microshift TS38, Trigger
<b>Front derailleur</b>	n/a
<b>Rear derailleur</b>	Shimano Tourney TY300
<b>Crankset</b>	Aluminum, 3-pcs, 30T
<b>Bottom bracket</b>	Square taper, 68 x 118mm
<b>Cassette</b>	Freewheel 13-32T, 7-speed
<b>Chain</b>	KMC Z7
<b>Front hub</b>	KT, Aluminum, QR
<b>Rear hub</b>	KT, Aluminium, QR, freewheel
<b>Rims</b>	Aluminum, 24", 32h
<b>Spokes</b>	14g, stainless steel
<b>Tires</b>	24 x 2,1'

<b>Saddle</b>	Garneau Junior
<b>Seat post</b>	Aluminum, Ø27.2 mm
<b>Handlebar</b>	Aluminum, 20 mm riser, Ø25.4 mm
<b>Grips</b>	Garneau Junior
<b>Stem</b>	Aluminum, Ahead, 30mm, 0°
<b>Headset</b>	Threadless, 1 1/8"
<b>Brake levers</b>	Junior specific, aluminum
<b>Brakes</b>	Aluminum, V-type
<b>Pedals</b>	Platform
<b>Accessories</b>	N/A
<b>Sizes</b>	OS
<b>Color</b>	9TV / CONCRETE

## Geometries

Size	OS
A- Seat tube length C/TOP	290
B- Effective top tube length	520
C- Chainstay length C/C	380
D- Head tube height	125
E- Seat tube angle	73°
F- Head tube angle	68°
G- Bottom bracket drop	42
H- Fork rake	40
I- Trail	80
J- Standover height	TBA
K- Wheelbase	977
L- Stack	539
M- Reach	355





## Specifications

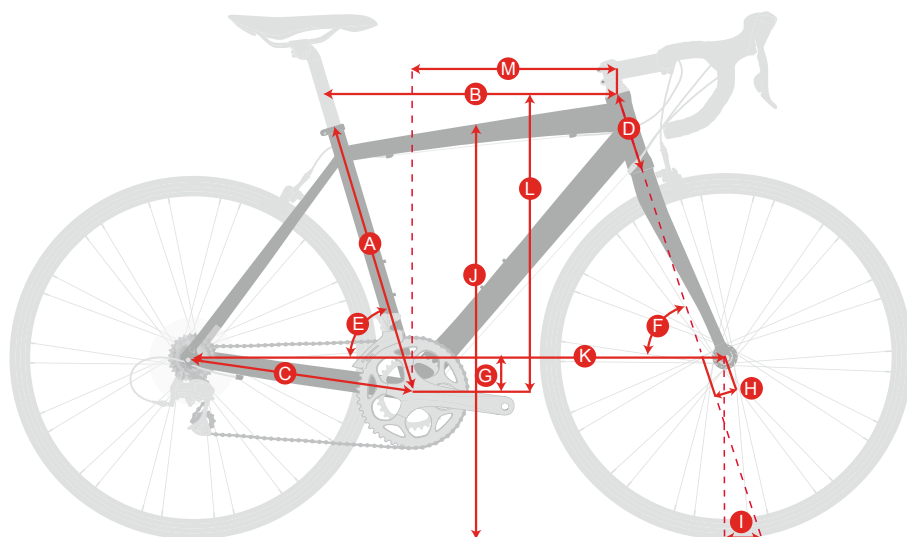
Trust 20 - LIBIK0037

<b>Frame</b>	HTS steel
<b>Fork</b>	Zoom 410 supension, 30mm travel
<b>Shift levers</b>	Microshift TS38, Trigger
<b>Front derailleur</b>	N/A
<b>Rear derailleur</b>	Shimano Tourney TY300
<b>Crankset</b>	Aluminum, 3-pcs, 28T
<b>Bottom bracket</b>	Square taper, 68 x 118mm
<b>Cassette</b>	Freewheel 13-32T, 7-speed
<b>Chain</b>	KMC Z7
<b>Front hub</b>	KT, Aluminum, QR
<b>Rear hub</b>	KT, Aluminium, QR, freewheel
<b>Rims</b>	Aluminum, 20", 28h
<b>Spokes</b>	14g, stainless steel
<b>Tires</b>	20 x 1.95"

<b>Saddle</b>	Garneau Junior
<b>Seat post</b>	Aluminum, 1-bolt, Ø25.4 mm
<b>Handlebar</b>	Aluminum, 40mm rise, Ø25.4 mm
<b>Grips</b>	Garneau Junior
<b>Stem</b>	Aluminum, Ahead, 30mm, 0°
<b>Headset</b>	Threadless, 1 1/8"
<b>Brake levers</b>	Junior specific, aluminum
<b>Brakes</b>	Aluminum, V-type
<b>Pedals</b>	Platform
<b>Accessories</b>	N/A
<b>Sizes</b>	OS
<b>Color</b>	9TN / ORANGE

## Geometries

Size	OS
A- Seat tube length C/TOP	240
B- Effective top tube length	395
C- Chainstay length C/C	350
D- Head tube height	90
E- Seat tube angle	71,5°
F- Head tube angle	68°
G- Bottom bracket drop	30
H- Fork rake	40
I- Trail	60
J- Standover height	TBA
K- Wheelbase	805
L- Stack	434
M- Reach	250





## Specifications

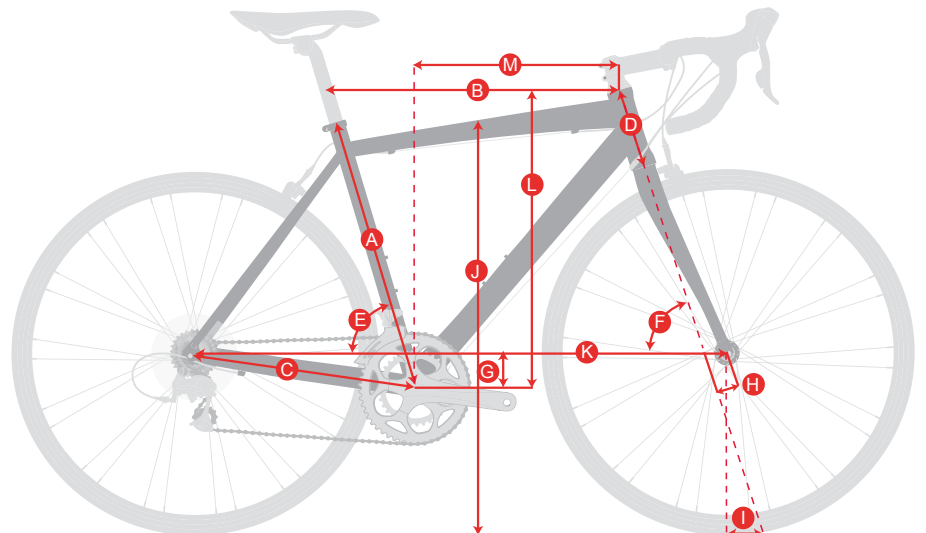
e-Urbania 2 • 1AAEFC2

<b>Frame</b>	Hydroformed S-6 LT aluminum, disc
<b>Fork</b>	S-6 aluminum, disc
<b>Motor</b>	Bafang M420 mid motor, 48 V/350 W, 80 N.m
<b>Battery</b>	Samsung Li-ion 48 V/9.6 Ah (461 Wh) integrated, Smart BMS, 32 km/h
<b>Sensor</b>	Torque & speed integrated
<b>Display</b>	Bafang 48 V matrix, Bafang Go connectable
<b>Lights</b>	Front: Axa 15 LUX 6 V, rear: Spaninga 6 V
<b>Charger</b>	220 V/115 V, 2A
<b>Shift levers</b>	Shimano Altus M2000, Rapidfire Plus
<b>Rear derailleur</b>	Shimano Acera M3000 Shadow
<b>Crankset</b>	Bafang Isis, 38T
<b>Bottom bracket</b>	Incorporated with motor
<b>Cassette</b>	Shimano HG201, 11-36T, 9-speed
<b>Chain</b>	KMC E9S
<b>Front hub</b>	Shimano, center lock disc
<b>Rear hub</b>	Shimano, cassette, center lock disc

<b>Rims</b>	Alexrims DP17, 36h
<b>Spokes</b>	14g, stainless steel
<b>Tires</b>	CY Kestrel E-Bike 25, reflective, 700 x 35c
<b>Saddle</b>	Selle Royal Essenza Athletic
<b>Seat post</b>	Caribou Panache 2, Ø27.2 mm
<b>Handlebar</b>	Caribou Panache 2, 12 mm riser, Ø31.8 mm
<b>Grips</b>	Velo Ergo, lock-on
<b>Stem</b>	Caribou Panache 2, 7"
<b>Headset</b>	FSA No.11N, 1 1/8"
<b>Brake levers</b>	Shimano MT200
<b>Brakes</b>	Shimano MT200, hydraulic disc
<b>Rotors</b>	Center lock, 180/160 mm
<b>Pedals</b>	VP resin
<b>Accessories</b>	Lights, kickstand, Bafang Go compatible
<b>Sizes</b>	S-M-L
<b>Color</b>	8D6 / PEARL WHITE

## Geometries

Size	S	M	L
A- Seat tube length C/TOP	435	470	505
B- Effective top tube length	586	602	619
C- Chainstay length C/C	450	450	450
D- Head tube height	135	160	185
E- Seat tube angle	74°	73.5°	73°
F- Head tube angle	71°	71°	71°
G- Bottom bracket drop	65	65	65
H- Fork rake	50	50	50
I- Trail	68	68	68
J- Standover height	747	776	805
K- Wheelbase	1096	1107	1120
L- Stack	581	604	629
M- Reach	419	423	428





## Specifications

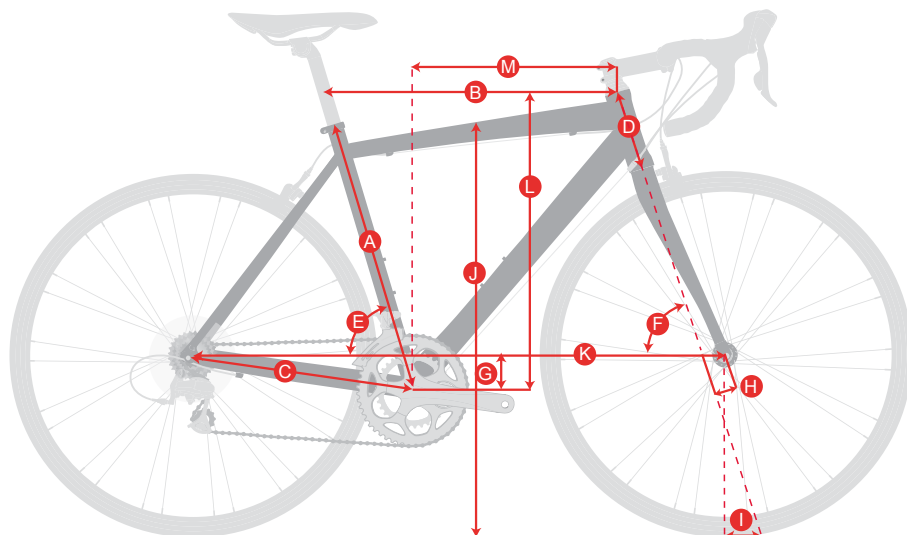
e-Urbania 3 • 1AAEEC3

<b>Frame</b>	Hydroformed S-6 LT aluminum, disc
<b>Fork</b>	S-6 aluminum, disc
<b>Motor</b>	Bafang H400B 48 V/350 W, 45 N.m
<b>Battery</b>	Samsung Li-ion 48 V/9.6 Ah (461 Wh) integrated, Smart BMS, 32 km/h
<b>Sensor</b>	Bafang BB torque & speed sensor
<b>Display</b>	Bafang 48 V LED, Bafang Go connectable
<b>Lights</b>	Front: Axa 15 LUX 6 V, rear: Spaninga 6 V
<b>Charger</b>	220 V/115 V, 2A
<b>Shift levers</b>	Shimano Altus M2000, Rapidfire Plus
<b>Rear derailleur</b>	Shimano Altus M2000 Shadow
<b>Crankset</b>	Prowheel, Narrow Wide, 38T
<b>Bottom bracket</b>	Bafang torque & speed sensor BB
<b>Cassette</b>	Shimano HG201, 11-36T, 9-speed
<b>Chain</b>	KMC Z99
<b>Front hub</b>	Caribou, disc
<b>Rear hub</b>	Bafang H400B

<b>Rims</b>	Alexrims DP17, 36h
<b>Spokes</b>	12/13g, stainless steel
<b>Tires</b>	CY Kestrel E-Bike 25, reflective, 700 x 35c
<b>Saddle</b>	Selle Royal Essenza Athletic
<b>Seat post</b>	Caribou Panache 2, Ø27.2 mm
<b>Handlebar</b>	Caribou Panache 2, 12 mm riser, Ø31.8 mm
<b>Grips</b>	Velo Ergo, lock-on
<b>Stem</b>	Caribou Panache 2, 7"
<b>Headset</b>	FSA No.11N, 1 1/8"
<b>Brake levers</b>	Shimano MT200
<b>Brakes</b>	Shimano MT200, hydraulic disc
<b>Rotors</b>	6 bolts, 180/160 mm
<b>Pedals</b>	VP resin
<b>Accessories</b>	Lights, kickstand, Bafang Go compatible
<b>Sizes</b>	S-M-L
<b>Color</b>	8CB / DARK CERAMIC GRAY

## Geometries

Size	S	M	L
A- Seat tube length C/TOP	435	470	505
B- Effective top tube length	586	602	619
C- Chainstay length C/C	450	450	450
D- Head tube height	135	160	185
E- Seat tube angle	74°	73.5°	73°
F- Head tube angle	71°	71°	71°
G- Bottom bracket drop	65	65	65
H- Fork rake	50	50	50
I- Trail	68	68	68
J- Standover height	747	776	805
K- Wheelbase	1096	1107	1120
L- Stack	581	604	629
M- Reach	419	423	428





## Specifications

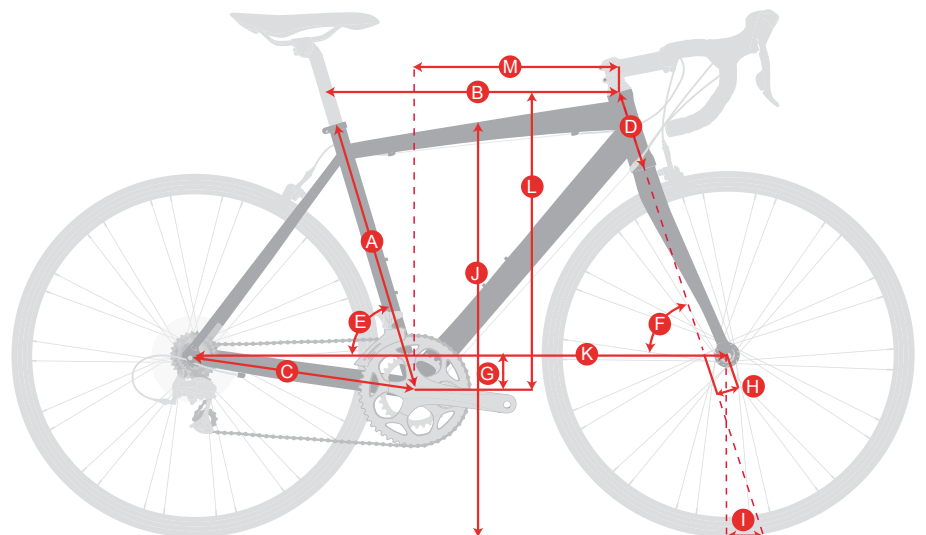
e-Espace 2 Step · 1ABEFC2

<b>Frame</b>	Hydroformed S-6 LT aluminum, disc
<b>Fork</b>	S-6 aluminum, disc
<b>Motor</b>	Bafang M420 mid motor, 48 V/250 W, 80 N.m
<b>Battery</b>	Samsung Li-ion 48 V/9.6 Ah (461 Wh) integrated, Smart BMS, 32 km/h
<b>Sensor</b>	Torque & speed integrated
<b>Display</b>	Bafang 48 V matrix, Bafang Go connectable
<b>Lights</b>	Front Axa 15 LUX 6V, rear Spaninga 6V
<b>Charger</b>	220 V/115 V, 2A
<b>Shift levers</b>	Shimano Altus M2000, Rapidfire Plus
<b>Rear derailleur</b>	Shimano Acera M3000 Shadow
<b>Crankset</b>	Bafang Isis, 38T
<b>Bottom bracket</b>	Incorporated with motor
<b>Cassette</b>	Shimano HG201, 11-36T, 9-speed
<b>Chain</b>	KMC E9S
<b>Front hub</b>	Shimano, center lock disc
<b>Rear hub</b>	Shimano, cassette, center lock disc

<b>Rims</b>	Alexrims DP17, 36h
<b>Spokes</b>	14g, stainless steel
<b>Tires</b>	CY Kestrel E-Bike 25, reflective, 700 x 35c
<b>Saddle</b>	Selle Royal Essenza Relaxed
<b>Seat post</b>	ExaForm 530 suspension, Ø27.2 mm
<b>Handlebar</b>	Caribou Panache 2 Sweep, 25 mm riser, Ø31.8 mm
<b>Grips</b>	Velo Ergo, lock-on
<b>Stem</b>	Caribou Panache 2, 17°
<b>Headset</b>	FSA No.11N, 1 1/8"
<b>Brake levers</b>	Shimano MT200
<b>Brakes</b>	Shimano MT200, hydraulic disc
<b>Rotors</b>	Center lock, 180/160 mm
<b>Pedals</b>	VP resin
<b>Accessories</b>	Lights, kickstand, full fenders, rear carrier, Bafang Go compatible
<b>Sizes</b>	S/M-M/L
<b>Color</b>	8DA / BLUE STEEL GRAY

## Geometries

Size	S/M	M/L
A- Seat tube length C/TOP	390	430
B- Effective top tube length	578	617
C- Chainstay length C/C	450	450
D- Head tube height	185	185
E- Seat tube angle	74.5°	73.5°
F- Head tube angle	70°	70.5°
G- Bottom bracket drop	65	65
H- Fork rake	50	50
I- Trail	71	68
J- Standover height	565	584
K- Wheelbase		1130
L- Stack	608	626
M- Reach	405	432





## Specifications

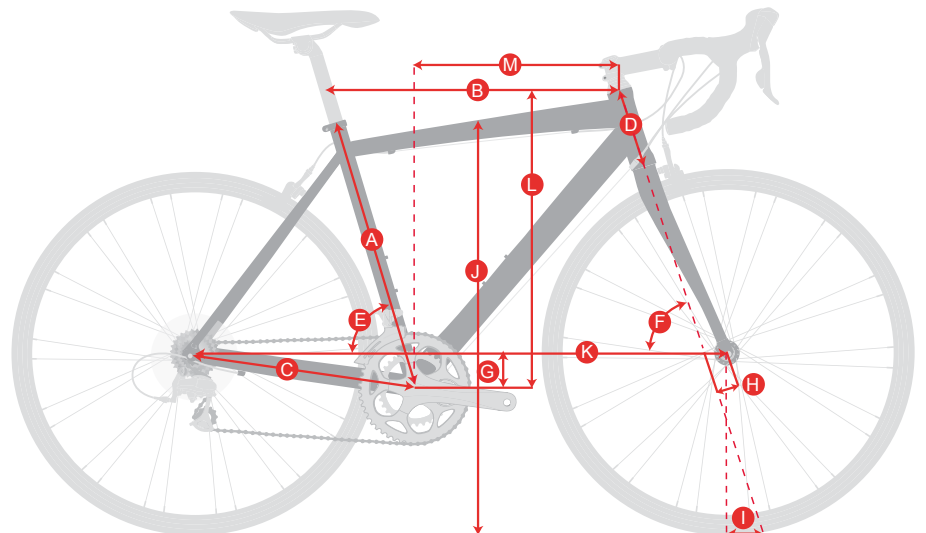
e-Espace 3 Step · 1ABEEC3

<b>Frame</b>	Hydroformed S-6 LT aluminum, disc
<b>Fork</b>	S-6 aluminum, disc
<b>Motor</b>	Bafang H400B 48 V/250 W, 45 N.m
<b>Battery</b>	Samsung Li-ion 48 V/7.8 Ah (374 Wh) integrated, Smart BMS, 32 km/h
<b>Sensor</b>	Bafang BB torque & speed sensor
<b>Display</b>	Bafang 48V LED, Bafang Go connectable
<b>Lights</b>	Front: Axa 15 LUX 6 V, rear: Spaninga 6 V
<b>Charger</b>	220V/115V, 2A
<b>Shift levers</b>	Shimano Altus M2000, Rapidfire Plus
<b>Rear derailleur</b>	Shimano Altus M2000 Shadow
<b>Crankset</b>	Prowheel, Narrow Wide, 38T
<b>Bottom bracket</b>	Bafang torque & speed sensor BB
<b>Cassette</b>	Shimano HG201, 11-36T, 9-speed
<b>Chain</b>	KMC Z99
<b>Front hub</b>	Caribou, disc
<b>Rear hub</b>	Bafang H400B

<b>Rims</b>	Alexrims DP17, 36h
<b>Spokes</b>	12/13g, stainless steel
<b>Tires</b>	CY Kestrel E-Bike 25, reflective, 700 x 35c
<b>Saddle</b>	Selle Royal Essenza Relaxed
<b>Seat post</b>	ExaForm 530 suspension, Ø27.2 mm
<b>Handlebar</b>	Caribou Panache 2 Sweep, 25 mm riser, Ø31.8 mm
<b>Grips</b>	Velo Ergo, lock-on
<b>Stem</b>	Caribou Panache 2, 17°
<b>Headset</b>	FSA No.11N, 1 1/8"
<b>Brake levers</b>	Shimano MT200
<b>Brakes</b>	Shimano MT200, hydraulic disc
<b>Rotors</b>	6 bolts, 180/160 mm
<b>Pedals</b>	VP resin
<b>Accessories</b>	Lights, kickstand, full fenders, rear carrier, Bafang Go compatible
<b>Sizes</b>	S/M-M/L
<b>Color</b>	8CC / MYSTIC GRAY

## Geometries

Size	S/M	M/L
A- Seat tube length C/TOP	390	430
B- Effective top tube length	578	617
C- Chainstay length C/C	450	450
D- Head tube height	185	185
E- Seat tube angle	74.5°	73.5°
F- Head tube angle	70°	70.5°
G- Bottom bracket drop	65	65
H- Fork rake	50	50
I- Trail	71	68
J- Standover height	565	584
K- Wheelbase		1130
L- Stack	608	626
M- Reach	405	432





## Specifications

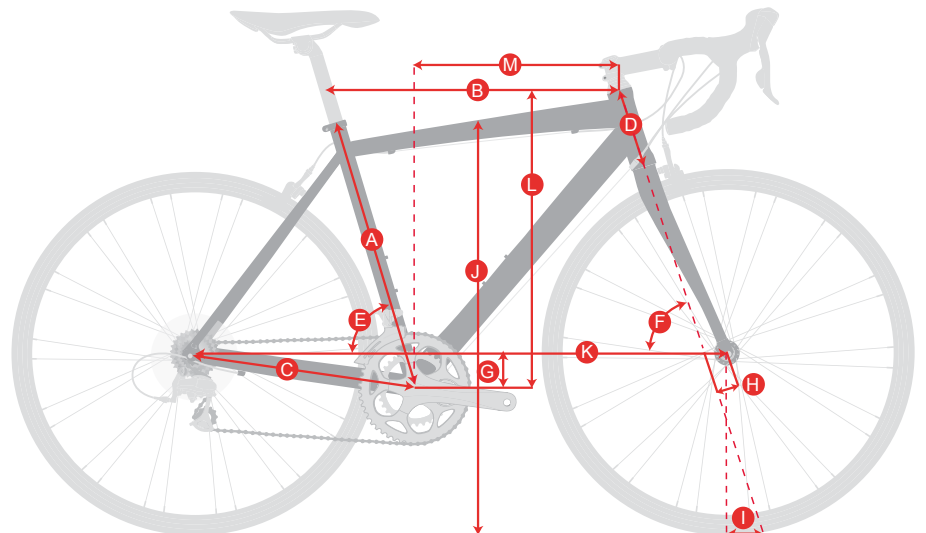
e-Espace 4 Step · 1ABEED4

<b>Frame</b>	S-6 LT aluminum, disc
<b>Fork</b>	Zoom 187D suspension, 65 mm, prealod
<b>Motor</b>	Bafang H400B 36V/250W, 45N.m
<b>Battery</b>	Samsung Li-ion 36V/10.4Ah (374Wh) rack mounted, 32km/h
<b>Sensor</b>	Speed sensor BB
<b>Display</b>	Bafang 36V LED
<b>Lights</b>	Front Axa 15 LUX 6V, rear integrated to the batterie 6v
<b>Throttle</b>	Star Union push button, left side
<b>Charger</b>	220 V/115 v, 2A
<b>Shift levers</b>	Shimano Altus M315, Rapidfire Plus
<b>Rear derailleur</b>	Shimano Altus M310
<b>Crankset</b>	Prowheel, Narrow wide, 38T
<b>Bottom bracket</b>	Speed sensor BB
<b>Cassette</b>	Shimano TZ500, freewheel, 14-34T, 7-speed
<b>Chain</b>	KMC Z51
<b>Front hub</b>	Caribou, disc

<b>Rear hub</b>	Bafang H400B
<b>Rims</b>	Alexrims DP17, 36h
<b>Spokes</b>	12/13g, stainless steel
<b>Tires</b>	CY Kestrel E-Bike 25, reflective, 700 x 35c
<b>Saddle</b>	Selle Royal Essenza Relaxed
<b>Seat post</b>	Suspension, Ø27.2 mm
<b>Handlebar</b>	Caribou Panache 2 Sweep, 25 mm riser , Ø31.8 mm
<b>Grips</b>	Velo Ergo, lock-on
<b>Stem</b>	Caribou Panache 2, 17°
<b>Headset</b>	FSA No.11N, 1 1/8"
<b>Brake levers</b>	Shimano Altus M310
<b>Brakes</b>	Shimano BR-M375, mechanical disc
<b>Rotors</b>	6 bolts, 180/160 mm
<b>Pedals</b>	VP resin
<b>Accessories</b>	Lights, throttle, kickstand, full fenders, rear carrier
<b>Sizes</b>	S-M-L
<b>Color</b>	8CE / ARMY GRAY

## Geometries

Size	S	M	L
A- Seat tube length C/TOP	400	445	490
B- Effective top tube length	555	600	640
C- Chainstay length C/C	450	450	450
D- Head tube height	140	170	200
E- Seat tube angle	74.5°	73.5°	72.5°
F- Head tube angle	71.5°	71.5°	71.5°
G- Bottom bracket drop	70	70	70
H- Fork rake	38	38	38
I- Trail	75	75	75
J- Standover height	548	569	590
K- Wheelbase	1095	1107	1123
L- Stack	637	665	694
M- Reach	378	403	427







## Specifications

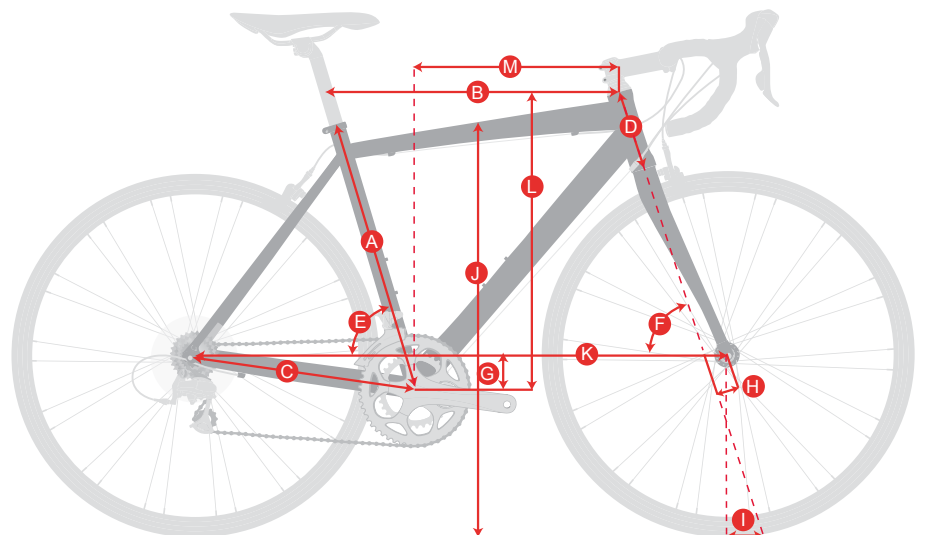
Urbania 1 · LIBIK0023

<b>Frame</b>	Hydroformed S-6 LT aluminum, disc
<b>Fork</b>	Garneau, carbon, aluminum steer tube, disc
<b>Shift levers</b>	Shimano Altus M3100, Rapidfire plus
<b>Front derailleur</b>	Shimano Acera T3000
<b>Rear derailleur</b>	Shimano Alivio M3100 shadow
<b>Crankset</b>	Shimano MT210, 46/30T
<b>Bottom bracket</b>	Square taper, 68 x 123.5 mm
<b>Cassette</b>	Shimano HG200, 11-32T, 9-speed
<b>Chain</b>	KMC Z99
<b>Front hub</b>	Shimano, center lock disc
<b>Rear hub</b>	Shimano, cassette, center lock disc
<b>Rims</b>	Panache D19, 32h
<b>Spokes</b>	14g, stainless steel
<b>Tires</b>	CY Kestrel, reflective, 700 x 35c

<b>Saddle</b>	Selle Royal Essenza Athletic
<b>Seat post</b>	Caribou Panache 2, Ø27.2 mm
<b>Handlebar</b>	Caribou Panache 2, 12 mm riser, Ø31.8 mm
<b>Grips</b>	Velo Ergo, lock-on
<b>Stem</b>	Caribou Panache 2, 7°
<b>Headset</b>	FSA No.11N, 1 1/8"
<b>Brake levers</b>	Shimano MT200
<b>Brakes</b>	Shimano MT200, hydraulic disc
<b>Rotors</b>	Center lock, 160 mm
<b>Pedals</b>	Platform
<b>Accessories</b>	N/A
<b>Sizes</b>	S-M-L-XL
<b>Color</b>	9VS / Light Grey

## Geometries

Size	S	M	L	XL
<b>A- Seat tube length C/TOP</b>	435	470	505	540
<b>B- Effective top tube length</b>	545	567	590	613
<b>C- Chainstay length C/C</b>	450	450	450	450
<b>D- Head tube height</b>	125	150	180	210
<b>E- Seat tube angle</b>	74°	73.5°	73°	72.5°
<b>F- Head tube angle</b>	70.5°	70.5°	71°	71°
<b>G- Bottom bracket drop</b>	70	70	65	65
<b>H- Fork rake</b>	50	50	50	50
<b>I- Trail</b>	70	70	67	67
<b>J- Standover height</b>	741	768	802	830
<b>K- Wheelbase</b>	1055	1074	1089	1107
<b>L- Stack</b>	550	574	599	628
<b>M- Reach</b>	387	397	407	415





## Specifications

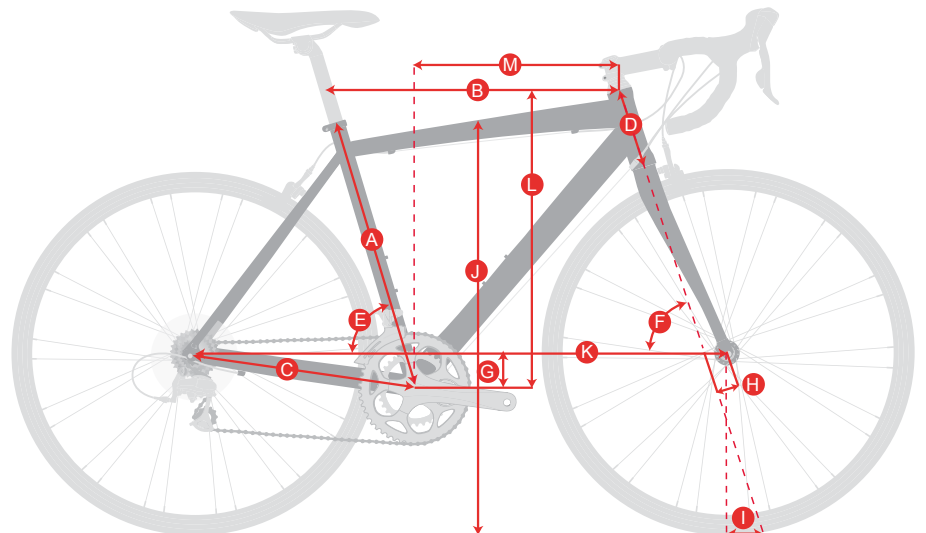
Urbania 4 · LIBIK0024

<b>Frame</b>	S-6 LT aluminum
<b>Fork</b>	S-6 aluminum
<b>Shift levers</b>	Shimano Altus M310, Rapidfire Plus
<b>Front derailleur</b>	Shimano Tourney TY710
<b>Rear derailleur</b>	Shimano Altus M370
<b>Crankset</b>	Shimano FC-TY501, 48/38/28T
<b>Bottom bracket</b>	Square taper, 68 x 122 mm
<b>Cassette</b>	DNP, 11-32T, 8-speed
<b>Chain</b>	KMC Z8.1
<b>Front hub</b>	Shimano
<b>Rear hub</b>	Shimano, cassette
<b>Rims</b>	Panache V19, 32h
<b>Spokes</b>	14g, stainless steel
<b>Tires</b>	CY Kestrel, reflective, 700 x 32c

<b>Saddle</b>	Selle Royal Essenza Athletic
<b>Seat post</b>	Caribou Panache 2, Ø27.2 mm
<b>Handlebar</b>	Caribou Panache 2, 12 mm riser, Ø31.8 mm
<b>Grips</b>	Velo Ergo, lock-on
<b>Stem</b>	Caribou Panache 2, 7"
<b>Headset</b>	FSA No.10AY, 1 1/8"
<b>Brake levers</b>	Shimano Altus M310
<b>Brakes</b>	Promax TX-122, V-type
<b>Rotors</b>	N/A
<b>Pedals</b>	VP, resin
<b>Accessories</b>	N/A
<b>Sizes</b>	S-M-L-XL
<b>Color</b>	9TF / Deep blue

## Geometries

Size	S	M	L	XL
<b>A- Seat tube length C/TOP</b>	435	470	505	540
<b>B- Effective top tube length</b>	545	567	590	613
<b>C- Chainstay length C/C</b>	450	450	450	450
<b>D- Head tube height</b>	125	150	180	210
<b>E- Seat tube angle</b>	74°	73.5°	73°	72.5°
<b>F- Head tube angle</b>	70.5°	70.5°	71°	71°
<b>G- Bottom bracket drop</b>	70	70	65	65
<b>H- Fork rake</b>	50	50	50	50
<b>I- Trail</b>	70	70	67	67
<b>J- Standover height</b>	741	768	802	830
<b>K- Wheelbase</b>	1055	1074	1089	1107
<b>L- Stack</b>	550	574	599	628
<b>M- Reach</b>	387	397	407	415





## Specifications

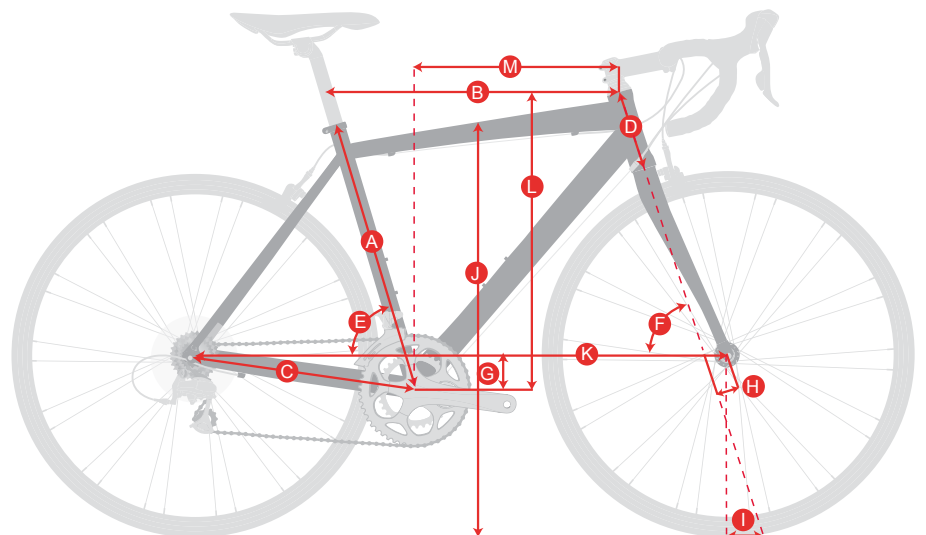
W's Urbania 4 • LIBIK0025

<b>Frame</b>	S-6 LT aluminum
<b>Fork</b>	S-6 aluminum
<b>Shift levers</b>	Shimano Altus M310, Rapidfire Plus
<b>Front derailleur</b>	Shimano Tourney TY710
<b>Rear derailleur</b>	Shimano Altus M370
<b>Crankset</b>	Shimano FC-TY501, 48/38/28T
<b>Bottom bracket</b>	Square taper, 68 x 122 mm
<b>Cassette</b>	DNP, 11-32T, 8-speed
<b>Chain</b>	KMC Z8.1
<b>Front hub</b>	Shimano
<b>Rear hub</b>	Shimano, cassette
<b>Rims</b>	Panache V19, 32h
<b>Spokes</b>	14g, stainless steel
<b>Tires</b>	CY Kestrel, reflective, 700 x 32c

<b>Saddle</b>	Selle Royal Essenza Athletic
<b>Seat post</b>	Caribou Panache 2, Ø27.2 mm
<b>Handlebar</b>	Caribou Panache 2, 12 mm riser, Ø31.8 mm
<b>Grips</b>	Velo Ergo, lock-on
<b>Stem</b>	Caribou Panache 2, 7"
<b>Headset</b>	FSA No.10AY, 1 1/8"
<b>Brake levers</b>	Shimano Altus M310
<b>Brakes</b>	Promax TX-122, V-type
<b>Rotors</b>	N/A
<b>Pedals</b>	VP, resin
<b>Accessories</b>	N/A
<b>Sizes</b>	S-M-L
<b>Color</b>	9UC / Metallic white

## Geometries

Size	S	M	L
<b>A- Seat tube length C/TOP</b>	400	430	460
<b>B- Effective top tube length</b>	522	543	565
<b>C- Chainstay length C/C</b>	450	450	450
<b>D- Head tube height</b>	120	135	160
<b>E- Seat tube angle</b>	75°	74.5°	74°
<b>F- Head tube angle</b>	69°	70.25°	70.5°
<b>G- Bottom bracket drop</b>	70	70	70
<b>H- Fork rake</b>	50	50	50
<b>I- Trail</b>	78	70	68
<b>J- Standover height</b>	719	742	769
<b>K- Wheelbase</b>	1056	1061	1077
<b>L- Stack</b>	540	559	584
<b>M- Reach</b>	377	388	398





## Specifications

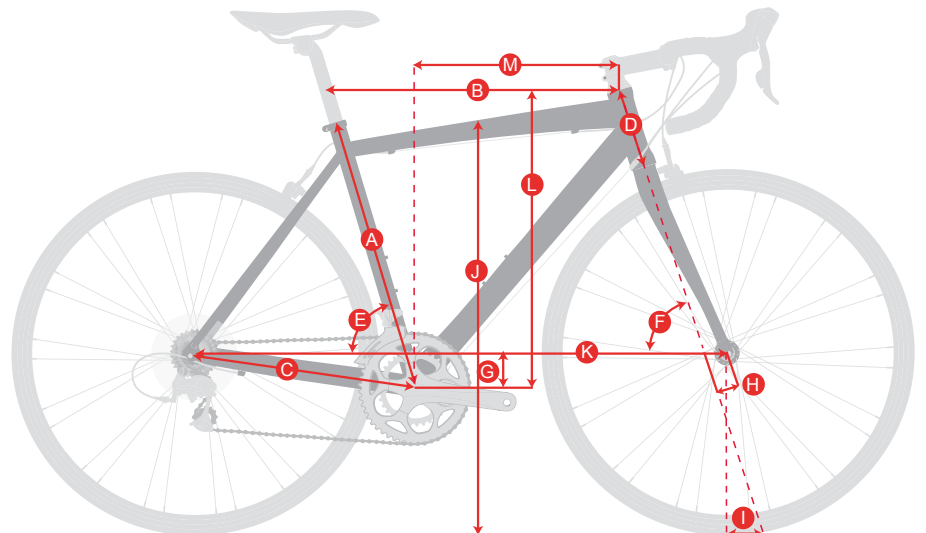
Urbania 5 · LIBIK0026

<b>Frame</b>	S-6 LT aluminum
<b>Fork</b>	HTS steel
<b>Shift levers</b>	Shimano EF500, EZ-Fire Plus
<b>Front derailleur</b>	Shimano Tourney TY510
<b>Rear derailleur</b>	Shimano Tourney TX800
<b>Crankset</b>	Lasco SUV, 48/38/28T
<b>Bottom bracket</b>	Square taper, 68 x 119 mm
<b>Cassette</b>	DNP, freewheel, 14-32T, 7-speed
<b>Chain</b>	KMC Z51
<b>Front hub</b>	KT
<b>Rear hub</b>	KT, freewheel
<b>Rims</b>	Star Circle J17, 32h
<b>Spokes</b>	14g, stainless steel
<b>Tires</b>	CY Kestrel, 700 x 32c

<b>Saddle</b>	Selle Royal Essenza Athletic
<b>Seat post</b>	Caribou Panache 3, Ø27.2 mm
<b>Handlebar</b>	Steel, flatbar, Ø31.8 mm
<b>Grips</b>	Garneau Ergo
<b>Stem</b>	Caribou Panache 3, 10°
<b>Headset</b>	FSA No.10AY, 1 1/8"
<b>Brake levers</b>	Shimano EF500
<b>Brakes</b>	Promax TX-122, V-type
<b>Rotors</b>	N/A
<b>Pedals</b>	VP, resin
<b>Accessories</b>	N/A
<b>Sizes</b>	S-M-L-XL
<b>Color</b>	9SZ / Metallic black

## Geometries

Size	S	M	L	XL
<b>A- Seat tube length C/TOP</b>	435	470	505	540
<b>B- Effective top tube length</b>	545	567	590	613
<b>C- Chainstay length C/C</b>	450	450	450	450
<b>D- Head tube height</b>	125	150	180	210
<b>E- Seat tube angle</b>	74°	73.5°	73°	72.5°
<b>F- Head tube angle</b>	70.5°	70.5°	71°	71°
<b>G- Bottom bracket drop</b>	70	70	65	65
<b>H- Fork rake</b>	50	50	50	50
<b>I- Trail</b>	70	70	67	67
<b>J- Standover height</b>	741	768	802	830
<b>K- Wheelbase</b>	1055	1074	1089	1107
<b>L- Stack</b>	550	574	599	628
<b>M- Reach</b>	387	397	407	415





## Specifications

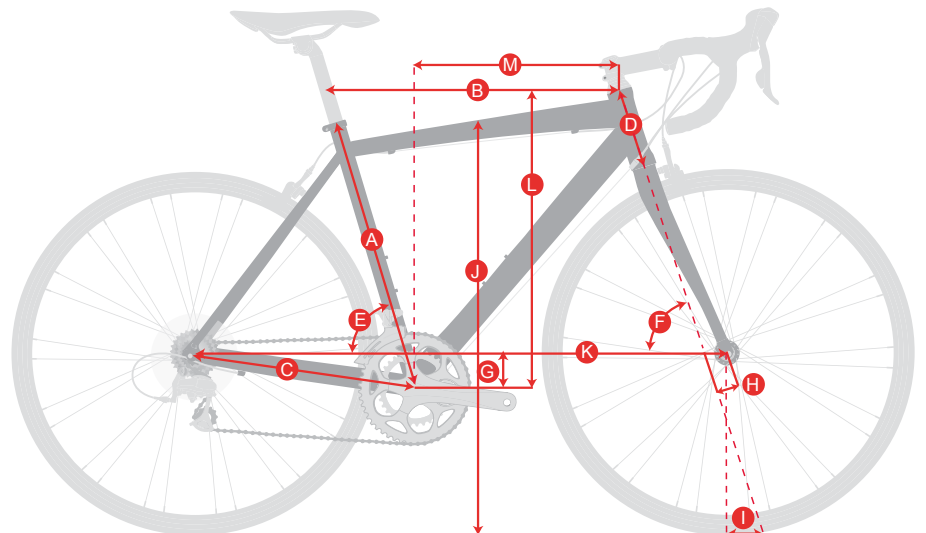
W's Urbania 5 • LIBIK0027

<b>Frame</b>	S-6 LT aluminum
<b>Fork</b>	HTS steel
<b>Shift levers</b>	Shimano EF500, EZ-Fire Plus
<b>Front derailleur</b>	Shimano Tourney TY510
<b>Rear derailleur</b>	Shimano Tourney TX800
<b>Crankset</b>	Lasco SUV, 48/38/28T
<b>Bottom bracket</b>	Square taper, 68 x 119 mm
<b>Cassette</b>	DNP, freewheel, 14-32T, 7-speed
<b>Chain</b>	KMC Z51
<b>Front hub</b>	KT
<b>Rear hub</b>	KT, freewheel
<b>Rims</b>	Star Circle J17, 32h
<b>Spokes</b>	14g, stainless steel
<b>Tires</b>	CY Kestrel, 700 x 32c

<b>Saddle</b>	Selle Royal Essenza Athletic
<b>Seat post</b>	Caribou Panache 3, Ø27.2 mm
<b>Handlebar</b>	Steel, flatbar, Ø31.8 mm
<b>Grips</b>	Garneau Ergo
<b>Stem</b>	Caribou Panache 3, 10°
<b>Headset</b>	FSA No.10AY, 1 1/8"
<b>Brake levers</b>	Shimano EF500
<b>Brakes</b>	Promax TX-122, V-type
<b>Rotors</b>	N/A
<b>Pedals</b>	VP, resin
<b>Accessories</b>	N/A
<b>Sizes</b>	S-M-L
<b>Color</b>	9UI / Ruby

## Geometries

Size	S	M	L
<b>A- Seat tube length C/TOP</b>	400	430	460
<b>B- Effective top tube length</b>	522	543	565
<b>C- Chainstay length C/C</b>	450	450	450
<b>D- Head tube height</b>	120	135	160
<b>E- Seat tube angle</b>	75°	74.5°	74°
<b>F- Head tube angle</b>	69°	70.25°	70.5°
<b>G- Bottom bracket drop</b>	70	70	70
<b>H- Fork rake</b>	50	50	50
<b>I- Trail</b>	78	70	68
<b>J- Standover height</b>	719	742	769
<b>K- Wheelbase</b>	1056	1061	1077
<b>L- Stack</b>	540	559	584
<b>M- Reach</b>	377	388	398





## Specifications

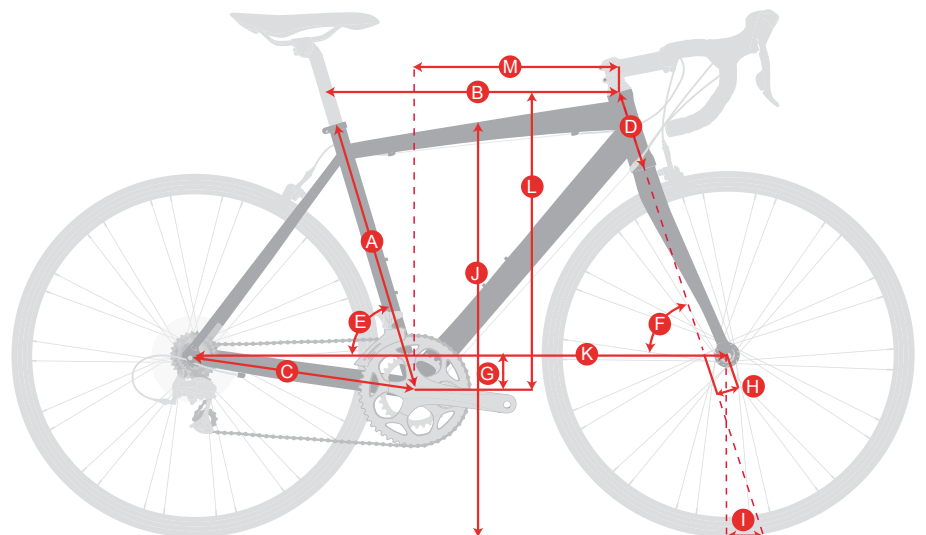
Espace · LIBIK0028

<b>Frame</b>	S-6 LT aluminum
<b>Fork</b>	HTS steel
<b>Shift levers</b>	Shimano EF500, EZ-fire plus
<b>Front derailleur</b>	Shimano Tourney TY510
<b>Rear derailleur</b>	Shimano Tourney TX800
<b>Crankset</b>	Shimano FC- TY301, 48/38/28T
<b>Bottom bracket</b>	Square taper, 68 x 122mm
<b>Cassette</b>	Square taper, 68 x 122mm
<b>Chain</b>	KMC Z51
<b>Front hub</b>	KT
<b>Rear hub</b>	KT, freewheel
<b>Rims</b>	Panache V19, 32h
<b>Spokes</b>	14g, stainless steel
<b>Tires</b>	CY Mako shark, 700 x 38c

<b>Saddle</b>	Selle Royal Essenza + relaxed
<b>Seat post</b>	Suspension, Ø27.2 mm
<b>Handlebar</b>	Caribou Panache 3, 60mm rise, Ø25.4 mm
<b>Grips</b>	Velo Ergo, à collet
<b>Stem</b>	Caribou Panache 3, adjustable angle
<b>Headset</b>	FSA No.10AY, 1 1/8"
<b>Brake levers</b>	Shimano EF500
<b>Brakes</b>	Promax TX-122, V-type
<b>Rotors</b>	N/A
<b>Pedals</b>	Platform
<b>Accessories</b>	N/A
<b>Sizes</b>	S-M-L
<b>Color</b>	9TG / WARM GREY

## Geometries

Size	S/M	M/L
<b>A- Seat tube length C/TOP</b>	430	490
<b>B- Effective top tube length</b>	590	625
<b>C- Chainstay length C/C</b>	450	450
<b>D- Head tube height</b>	180	230
<b>E- Seat tube angle</b>	73°	72.5°
<b>F- Head tube angle</b>	71°	71°
<b>G- Bottom bracket drop</b>	70	65
<b>H- Fork rake</b>	50	50
<b>I- Trail</b>	70	70
<b>J- Standover height</b>	TBD	TBD
<b>K- Wheelbase</b>	1085	1118
<b>L- Stack</b>	605	647
<b>M- Reach</b>	404	420





## Specifications

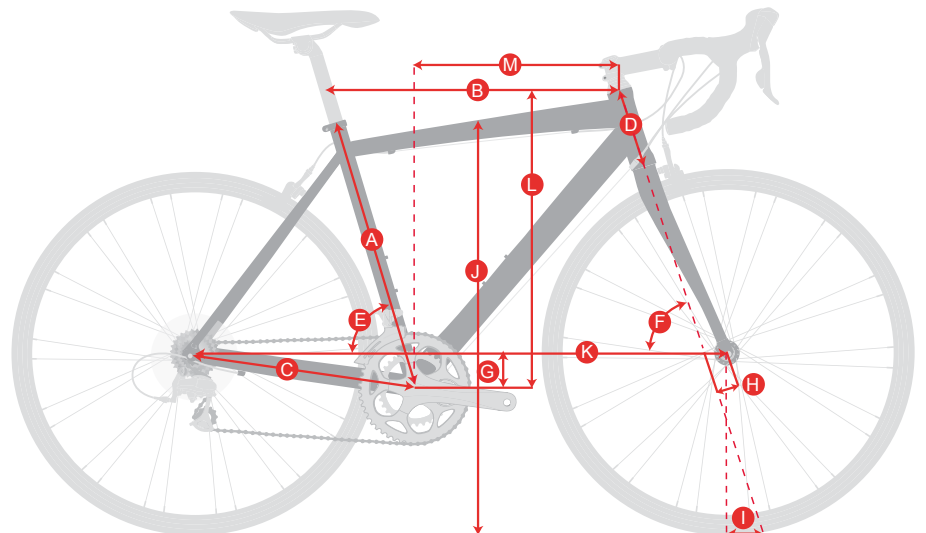
Espace Step • LIBIK0029

<b>Frame</b>	S-6 LT aluminum
<b>Fork</b>	HTS steel
<b>Shift levers</b>	Shimano EF500, EZ-fire plus
<b>Front derailleur</b>	Shimano Tourney TY510
<b>Rear derailleur</b>	Shimano Tourney TX800
<b>Crankset</b>	Shimano FC- TY301, 48/38/28T
<b>Bottom bracket</b>	Square taper, 68 x 122mm
<b>Cassette</b>	Freewheel 14-32T, 7-speed
<b>Chain</b>	KMC Z51
<b>Front hub</b>	KT
<b>Rear hub</b>	KT, freewheel
<b>Rims</b>	Panache V19, 32h
<b>Spokes</b>	14g, stainless steel
<b>Tires</b>	CY Mako shark, 700 x 38c

<b>Saddle</b>	Selle Royal Essenza + relaxed
<b>Seat post</b>	Suspension, Ø27.2 mm
<b>Handlebar</b>	Caribou Panache 3, 60mm rise, Ø25.4 mm
<b>Grips</b>	Velo Ergo, à collet
<b>Stem</b>	Caribou Panache 3, adjustable angle
<b>Headset</b>	FSA No.10AY, 1 1/8"
<b>Brake levers</b>	Shimano EF500
<b>Brakes</b>	Promax TX-122, V-type
<b>Rotors</b>	N/A
<b>Pedals</b>	VP, resin
<b>Accessories</b>	N/A
<b>Sizes</b>	S-M-L
<b>Color</b>	9SX / WINE

## Geometries

Size	S/M	M/L
A- Seat tube length C/TOP	380	440
B- Effective top tube length	540	575
C- Chainstay length C/C	450	450
D- Head tube height	140	180
E- Seat tube angle	74.5°	73.5°
F- Head tube angle	70°	71°
G- Bottom bracket drop	70	70
H- Fork rake	50	50
I- Trail	77	70
J- Standover height	TBD	TBD
K- Wheelbase	1061	1071
L- Stack	383	395
M- Reach	404	420





## Specifications

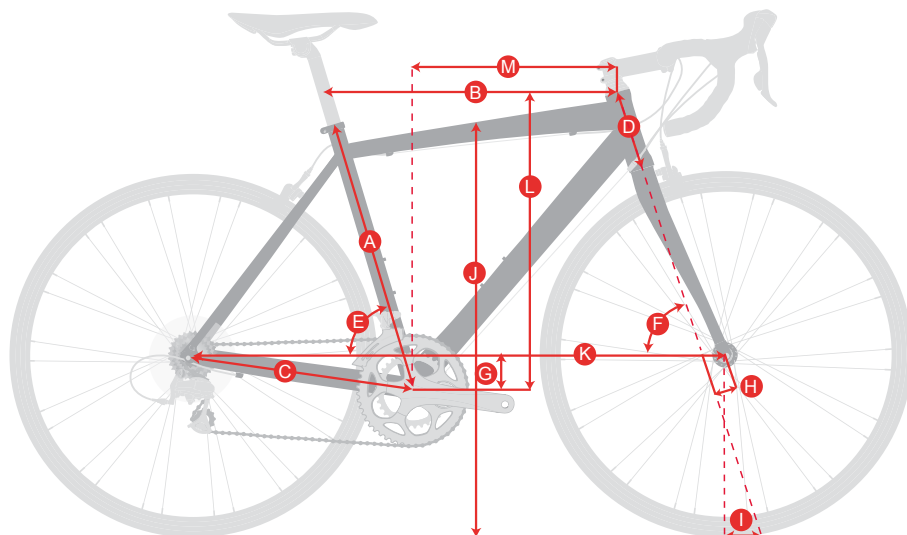
Champlain • LIBIK0031

<b>Frame</b>	Vintage aluminum
<b>Fork</b>	Vintage CrMo
<b>Shift levers</b>	Shimano EF500, EZ-Fire Plus
<b>Front derailleur</b>	Shimano Tourney TY510
<b>Rear derailleur</b>	Shimano Tourney TX800
<b>Crankset</b>	Shimano FC- TY501, 48/38/28T
<b>Bottom bracket</b>	Square taper, 68 x 122 mm
<b>Cassette</b>	Freewheel 14-32T, 7-speed
<b>Chain</b>	KMC Z51
<b>Front hub</b>	Caribou
<b>Rear hub</b>	Caribou, freewheel
<b>Rims</b>	Weinmann X-M2, 32h
<b>Spokes</b>	14g, stainless steel
<b>Tires</b>	Kenda Kwest, 700 x 35c

<b>Saddle</b>	Selle Royal Essenza Moderate
<b>Seat post</b>	Caribou, Ø27.2 mm
<b>Handlebar</b>	Caribou, 38 mm riser, 38° sweep, Ø31.8 mm
<b>Grips</b>	Velo Ergo cork, lock-on
<b>Stem</b>	Caribou, 7°
<b>Headset</b>	FSA TH-882, 1 1/8"
<b>Brake levers</b>	Shimano EF500
<b>Brakes</b>	Promax TX-122, V-type
<b>Rotors</b>	N/A
<b>Pedals</b>	VP resin
<b>Accessories</b>	Kickstand, full fenders
<b>Sizes</b>	S-M-L
<b>Color</b>	8CZ / BLACK SEA

## Geometries

Size	S/M	M/L
A- Seat tube length C/TOP	500	550
B- Effective top tube length	590	620
C- Chainstay length C/C	450	450
D- Head tube height	130	165
E- Seat tube angle	72.5°	72°
F- Head tube angle	71°	71°
G- Bottom bracket drop	65	65
H- Fork rake	50	50
I- Trail	65	65
J- Standover height	768	795
K- Wheelbase	1082	1107
L- Stack	567	600
M- Reach	411	425







## Specifications

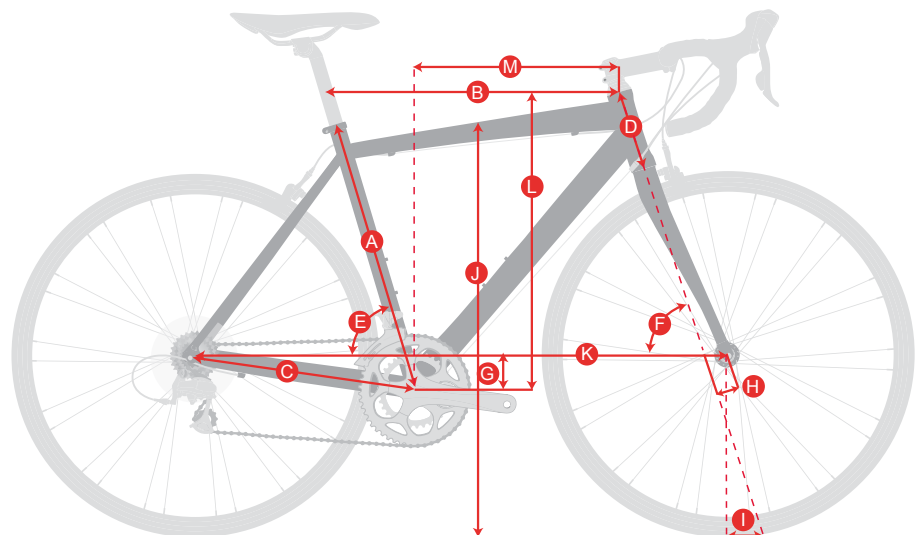
Champlain mixte • LIBIK0030

<b>Frame</b>	Vintage aluminum
<b>Fork</b>	Vintage CrMo
<b>Shift levers</b>	Shimano EF500, EZ-Fire Plus
<b>Front derailleur</b>	Shimano Tourney TY510
<b>Rear derailleur</b>	Shimano Tourney TX800
<b>Crankset</b>	Shimano FC- TY501, 48/38/28T
<b>Bottom bracket</b>	Square taper, 68 x 122 mm
<b>Cassette</b>	Freewheel 14-32T, 7-speed
<b>Chain</b>	KMC Z51
<b>Front hub</b>	Caribou
<b>Rear hub</b>	Caribou, freewheel
<b>Rims</b>	Weinmann X-M2, 32h
<b>Spokes</b>	14g, stainless steel
<b>Tires</b>	Kenda Kwest, 700 x 35c

<b>Saddle</b>	Selle Royal Essenza Moderate
<b>Seat post</b>	Caribou, Ø27.2 mm
<b>Handlebar</b>	Caribou, 38 mm riser, 38° sweep, Ø31.8 mm
<b>Grips</b>	Velo Ergo cork, lock-on
<b>Stem</b>	Caribou, 7°
<b>Headset</b>	FSA TH-882, 1 1/8"
<b>Brake levers</b>	Shimano EF500
<b>Brakes</b>	Promax TX-122, V-type
<b>Rotors</b>	N/A
<b>Pedals</b>	VP resin
<b>Accessories</b>	Kickstand, full fenders
<b>Sizes</b>	S/M-M/L
<b>Color</b>	8CY / TURQUOISE

## Geometries

Size	S/M	M/L
A- Seat tube length C/TOP	430	480
B- Effective top tube length	575	600
C- Chainstay length C/C	450	450
D- Head tube height	175	200
E- Seat tube angle	73.5°	73°
F- Head tube angle	71°	71°
G- Bottom bracket drop	65	65
H- Fork rake	50	50
I- Trail	65	65
J- Standover height	617	625
K- Wheelbase	1080	1100
L- Stack	610	634
M- Reach	394	406





## Specifications

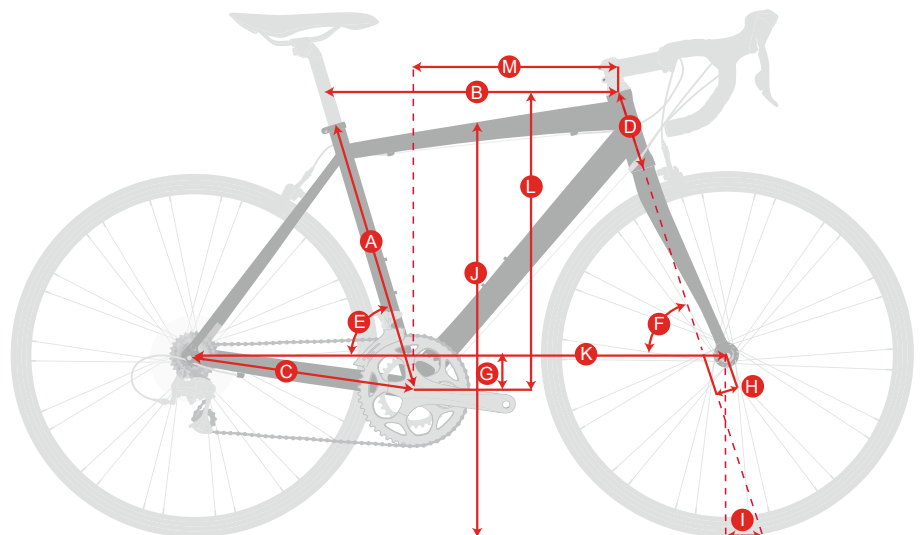
NEO 247 · LIBIK0039

<b>Frame</b>	HTS steel
<b>Fork</b>	HTS steel
<b>Shift levers</b>	Microshift TS38, Trigger
<b>Front derailleur</b>	N/A
<b>Rear derailleur</b>	Shimano Tourney TY300
<b>Crankset</b>	Aluminum, 3-pcs, 32T
<b>Bottom bracket</b>	Square taper, 68 x 118mm
<b>Cassette</b>	Freewheel 13-32T, 7-speed
<b>Chain</b>	KMC Z7
<b>Front hub</b>	SF, Aluminum
<b>Rear hub</b>	SF, Aluminium, freewheel
<b>Rims</b>	Aluminum, 24", 32h
<b>Spokes</b>	14g, steel
<b>Tires</b>	24 x 1.95"

<b>Saddle</b>	Garneau Junior
<b>Seat post</b>	Aluminum, Ø25.4 mm
<b>Handlebar</b>	Aluminum, 40mm rise, Ø25.4 mm
<b>Grips</b>	Garneau Junior
<b>Stem</b>	Aluminum, Ahead, 50mm, 10°
<b>Headset</b>	Threadless, 1 1/8"
<b>Brake levers</b>	Junior specific, aluminum/resin
<b>Brakes</b>	Aluminum, V-type
<b>Pedals</b>	Platform
<b>Accessories</b>	N/A
<b>Sizes</b>	OS
<b>Color</b>	9RQ / RED

## Geometries

Size	OS
A- Seat tube length C/TOP	305
B- Effective top tube length	511
C- Chainstay length C/C	405
D- Head tube height	100
E- Seat tube angle	72.5°
F- Head tube angle	70.5°
G- Bottom bracket drop	45
H- Fork rake	33
I- Trail	73
J- Standover height	674
K- Wheelbase	953
L- Stack	526
M- Reach	345





## Specifications

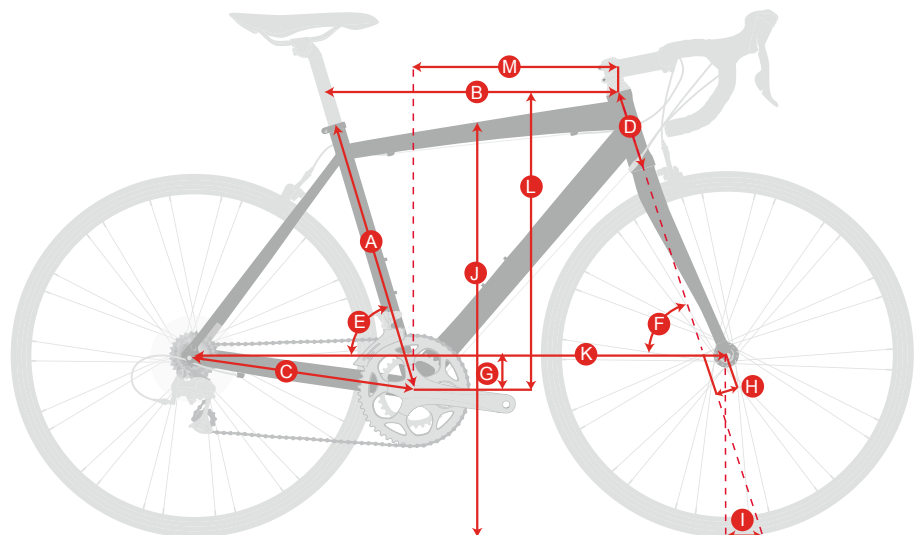
NEO 247 · LIBIK0039

<b>Frame</b>	HTS steel
<b>Fork</b>	HTS steel
<b>Shift levers</b>	Microshift TS38, Trigger
<b>Front derailleur</b>	N/A
<b>Rear derailleur</b>	Shimano Tourney TY300
<b>Crankset</b>	Aluminum, 3-pcs, 32T
<b>Bottom bracket</b>	Square taper, 68 x 118mm
<b>Cassette</b>	Freewheel 13-32T, 7-speed
<b>Chain</b>	KMC Z7
<b>Front hub</b>	SF, Aluminum
<b>Rear hub</b>	SF, Aluminium, freewheel
<b>Rims</b>	Aluminum, 24", 32h
<b>Spokes</b>	14g, steel
<b>Tires</b>	24 x 1.95"

<b>Saddle</b>	Garneau Junior
<b>Seat post</b>	Aluminum, Ø25.4 mm
<b>Handlebar</b>	Aluminum, 40mm rise, Ø25.4 mm
<b>Grips</b>	Garneau Junior
<b>Stem</b>	Aluminum, Ahead, 50mm, 10°
<b>Headset</b>	Threadless, 1 1/8"
<b>Brake levers</b>	Junior specific, aluminum/resin
<b>Brakes</b>	Aluminum, V-type
<b>Pedals</b>	Platform
<b>Accessories</b>	N/A
<b>Sizes</b>	OS
<b>Color</b>	9SU / FUCHSIA

## Geometries

Size	OS
A- Seat tube length C/TOP	305
B- Effective top tube length	508
C- Chainstay length C/C	405
D- Head tube height	100
E- Seat tube angle	73°
F- Head tube angle	70°
G- Bottom bracket drop	45
H- Fork rake	45
I- Trail	63
J- Standover height	620
K- Wheelbase	969
L- Stack	473
M- Reach	363





## Specifications

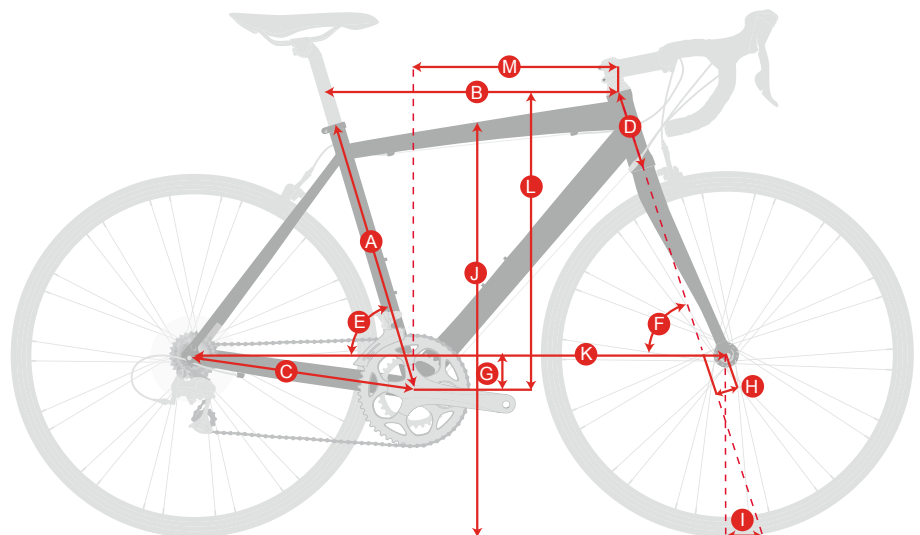
NEO 207 · LIBIK0040

<b>Frame</b>	HTS steel
<b>Fork</b>	HTS steel
<b>Shift levers</b>	Microshift TS38, Trigger
<b>Front derailleur</b>	N/A
<b>Rear derailleur</b>	Shimano Tourney TY300
<b>Crankset</b>	Aluminum, 3-pcs, 31T
<b>Bottom bracket</b>	Square taper, 68 x 118mm
<b>Cassette</b>	Freewheel 13-32T, 7-speed
<b>Chain</b>	KMC Z7
<b>Front hub</b>	SF, Aluminum
<b>Rear hub</b>	SF, Aluminium, freewheel
<b>Rims</b>	Aluminum, 20", 28h
<b>Spokes</b>	14g, steel
<b>Tires</b>	20 x 1.95"

<b>Saddle</b>	Garneau Junior
<b>Seat post</b>	Aluminum, Ø25.4 mm
<b>Handlebar</b>	Aluminum, 40mm rise, Ø25.4 mm
<b>Grips</b>	Garneau Junior
<b>Stem</b>	Aluminum, Ahead, 50mm, 10°
<b>Headset</b>	Threadless, 1 1/8"
<b>Brake levers</b>	Junior specific, aluminum/resin
<b>Brakes</b>	Aluminum, V-type
<b>Pedals</b>	Platform
<b>Accessories</b>	N/A
<b>Sizes</b>	OS
<b>Color</b>	9TE / BLUE

## Geometries

Size	OS
A- Seat tube length C/TOP	240
B- Effective top tube length	448
C- Chainstay length C/C	375
D- Head tube height	90
E- Seat tube angle	71.5°
F- Head tube angle	69°
G- Bottom bracket drop	45
H- Fork rake	35
I- Trail	60
J- Standover height	511
K- Wheelbase	861
L- Stack	421
M- Reach	308





## Specifications

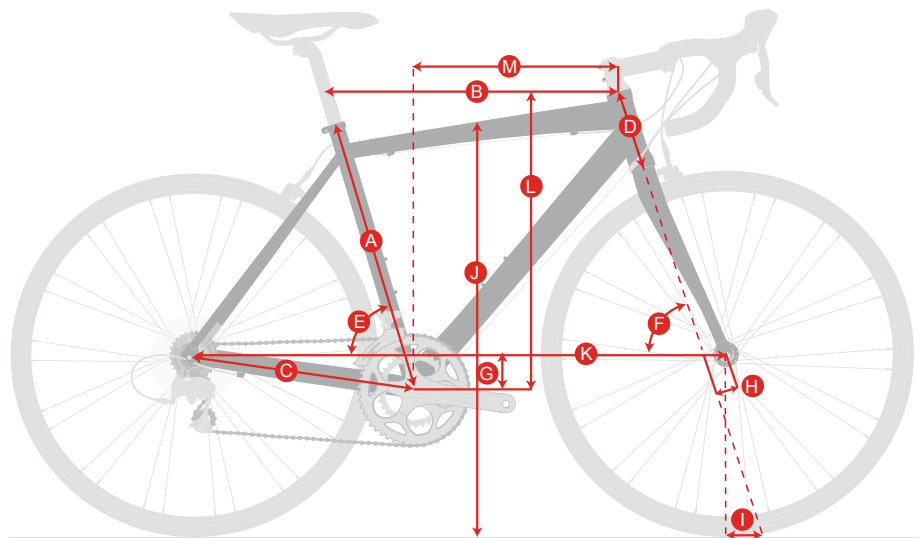
NEO 207 · LIBIK0040

<b>Frame</b>	HTS steel
<b>Fork</b>	HTS steel
<b>Shift levers</b>	Microshift TS38, Trigger
<b>Front derailleur</b>	N/A
<b>Rear derailleur</b>	Shimano Tourney TY300
<b>Crankset</b>	Aluminum, 3-pcs, 31T
<b>Bottom bracket</b>	Square taper, 68 x 118mm
<b>Cassette</b>	Freewheel 13-32T, 7-speed
<b>Chain</b>	KMC Z7
<b>Front hub</b>	SF, Aluminum
<b>Rear hub</b>	SF, Aluminium, freewheel
<b>Rims</b>	Aluminum, 20", 28h
<b>Spokes</b>	14g, steel
<b>Tires</b>	20 x 1.95"

<b>Saddle</b>	Garneau Junior
<b>Seat post</b>	Aluminum, Ø25.4 mm
<b>Handlebar</b>	Aluminum, 40mm rise, Ø25.4 mm
<b>Grips</b>	Garneau Junior
<b>Stem</b>	Aluminum, Ahead, 50mm, 10°
<b>Headset</b>	Threadless, 1 1/8"
<b>Brake levers</b>	Junior specific, aluminum/resin
<b>Brakes</b>	Aluminum, V-type
<b>Pedals</b>	Platform
<b>Accessories</b>	N/A
<b>Sizes</b>	OS
<b>Color</b>	9SS / LAVENDER

## Geometries

Size	OS
A- Seat tube length C/TOP	240
B- Effective top tube length	448
C- Chainstay length C/C	375
D- Head tube height	90
E- Seat tube angle	71.5°
F- Head tube angle	69°
G- Bottom bracket drop	45
H- Fork rake	35
I- Trail	60
J- Standover height	511
K- Wheelbase	861
L- Stack	421
M- Reach	308





## Specifications

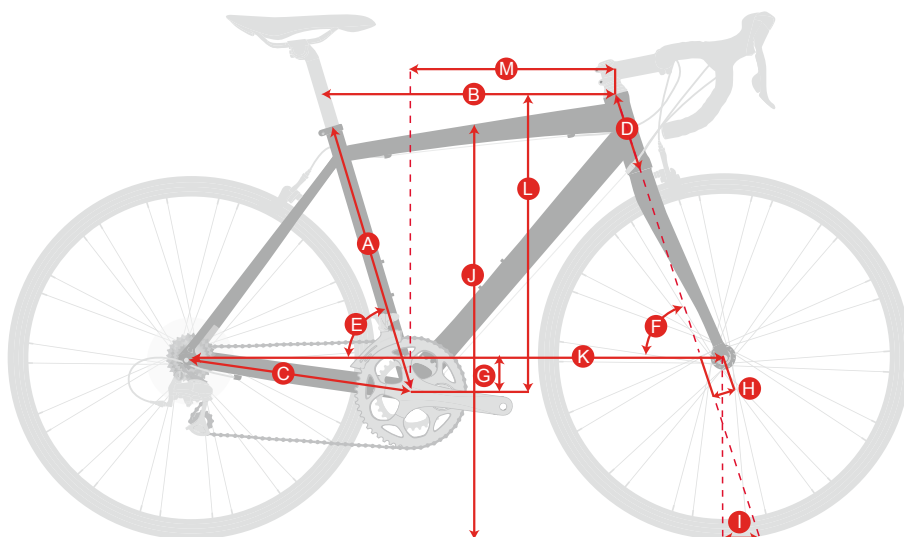
NEO 201 · LIBIK0041

<b>Frame</b>	HTS steel
<b>Fork</b>	HTS steel
<b>Shift levers</b>	N/A
<b>Front derailleur</b>	N/A
<b>Rear derailleur</b>	N/A
<b>Crankset</b>	Aluminum, 3-pcs, 31T
<b>Bottom bracket</b>	Square taper, 68 x 118mm
<b>Cassette</b>	Freewheel 19T, 1-speed
<b>Chain</b>	KMC S1
<b>Front hub</b>	SF, Aluminum
<b>Rear hub</b>	SF, Aluminium, freewheel
<b>Rims</b>	Aluminum, 20", 28h
<b>Spokes</b>	14g, steel
<b>Tires</b>	20 x 1.95"

<b>Saddle</b>	Garneau Junior
<b>Seat post</b>	Aluminum, Ø25.4 mm
<b>Handlebar</b>	Aluminum, 40mm rise, Ø25.4 mm
<b>Grips</b>	Garneau Junior
<b>Stem</b>	Aluminum, Ahead, 50mm, 10°
<b>Headset</b>	XR, threadless, 1 1/8"
<b>Brake levers</b>	Junior specific, aluminum/resin
<b>Brakes</b>	Aluminum, V-type
<b>Pedals</b>	Platform
<b>Accessories</b>	N/A
<b>Sizes</b>	OS
<b>Color</b>	9TY / PURPLE

## Geometries

Size	OS
A- Seat tube length C/TOP	240
B- Effective top tube length	448
C- Chainstay length C/C	368
D- Head tube height	90
E- Seat tube angle	71.5°
F- Head tube angle	69°
G- Bottom bracket drop	45
H- Fork rake	35
I- Trail	60
J- Standover height	511
K- Wheelbase	854
L- Stack	421
M- Reach	308





## Specifications

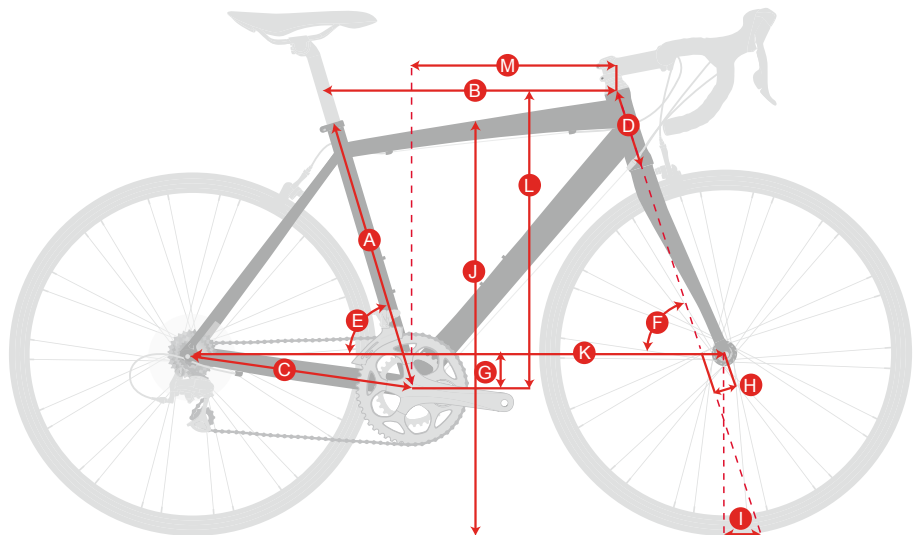
NEO 201 · LIBIK0041

<b>Frame</b>	HTS steel
<b>Fork</b>	HTS steel
<b>Shift levers</b>	N/A
<b>Front derailleur</b>	N/A
<b>Rear derailleur</b>	N/A
<b>Crankset</b>	Aluminum, 3-pcs, 31T
<b>Bottom bracket</b>	Square taper, 68 x 118mm
<b>Cassette</b>	Freewheel 19T, 1-speed
<b>Chain</b>	KMC S1
<b>Front hub</b>	SF, Aluminum
<b>Rear hub</b>	SF, Aluminium, freewheel
<b>Rims</b>	Aluminum, 20", 28h
<b>Spokes</b>	14g, steel
<b>Tires</b>	20 x 1.95"

<b>Saddle</b>	Garneau Junior
<b>Seat post</b>	Aluminum, Ø25.4 mm
<b>Handlebar</b>	Aluminum, 40mm rise, Ø25.4 mm
<b>Grips</b>	Garneau Junior
<b>Stem</b>	Aluminum, Ahead, 50mm, 10°
<b>Headset</b>	XR, threadless, 1 1/8"
<b>Brake levers</b>	Junior specific, aluminum/resin
<b>Brakes</b>	Aluminum, V-type
<b>Pedals</b>	Platform
<b>Accessories</b>	N/A
<b>Sizes</b>	OS
<b>Color</b>	9SM / RED

## Geometries

Size	OS
A- Seat tube length C/TOP	240
B- Effective top tube length	448
C- Chainstay length C/C	368
D- Head tube height	90
E- Seat tube angle	71.5°
F- Head tube angle	69°
G- Bottom bracket drop	45
H- Fork rake	35
I- Trail	60
J- Standover height	511
K- Wheelbase	854
L- Stack	421
M- Reach	308





## Specifications

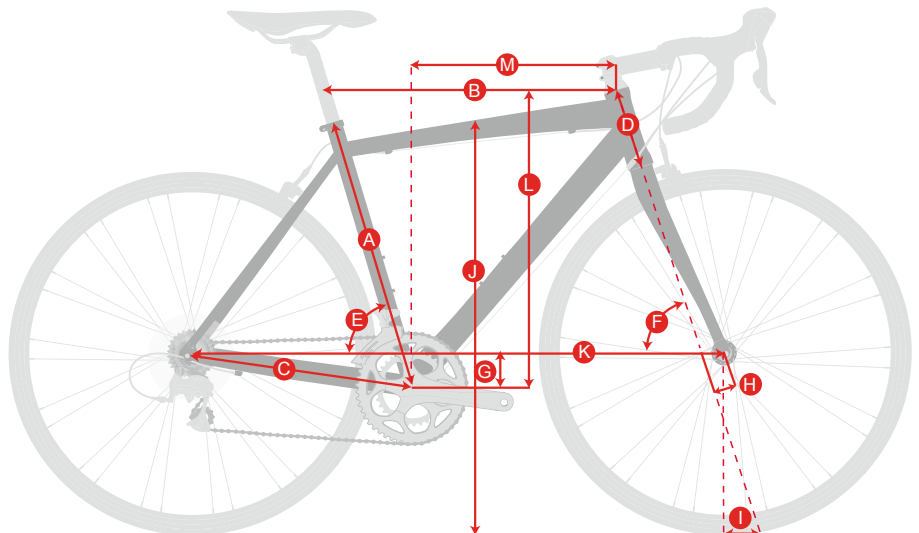
NEO 201 COASTER · LIBIK0046

<b>Frame</b>	HTS steel
<b>Fork</b>	HTS steel
<b>Shift levers</b>	N/A
<b>Front derailleur</b>	N/A
<b>Rear derailleur</b>	N/A
<b>Crankset</b>	Aluminum, 3-pcs, 31T
<b>Bottom bracket</b>	Square taper, 68 x 118mm
<b>Cassette</b>	Freewheel 19T, 1-speed
<b>Chain</b>	KMC S1
<b>Front hub</b>	Steel
<b>Rear hub</b>	Steel coaster brake
<b>Rims</b>	Aluminum, 20", 28h
<b>Spokes</b>	14g, Stainless steel
<b>Tires</b>	20 x 1.95"

<b>Saddle</b>	Garneau Junior
<b>Seat post</b>	Aluminum, Ø25.4 mm
<b>Handlebar</b>	Aluminum, 40mm rise, Ø25.4 mm
<b>Grips</b>	Garneau Junior
<b>Stem</b>	Aluminum, Ahead, 50mm, 10°
<b>Headset</b>	XR, threadless, 1 1/8"
<b>Brake levers</b>	Junior specific, aluminum/resin
<b>Brakes</b>	Aluminum, V-type
<b>Pedals</b>	Platform
<b>Accessories</b>	N/A
<b>Sizes</b>	OS
<b>Color</b>	9SL / CYAN

## Geometries

Size	OS
A- Seat tube length C/TOP	240
B- Effective top tube length	448
C- Chainstay length C/C	368
D- Head tube height	90
E- Seat tube angle	71.5°
F- Head tube angle	69°
G- Bottom bracket drop	45
H- Fork rake	35
I- Trail	60
J- Standover height	511
K- Wheelbase	854
L- Stack	421
M- Reach	308







## Specifications

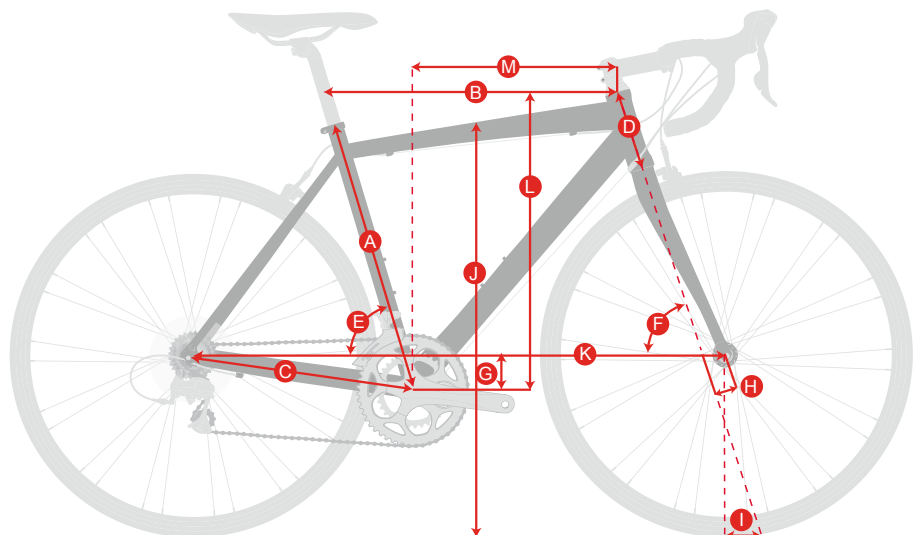
F-16 • LIBIK0042

<b>Frame</b>	HTS steel
<b>Fork</b>	HTS steel
<b>Shift levers</b>	N/A
<b>Front derailleur</b>	N/A
<b>Rear derailleur</b>	N/A
<b>Crankset</b>	Steel, 3-pcs, 28T
<b>Bottom bracket</b>	square taper, 68 x 116mm
<b>Cassette</b>	Freewheel 18T, 1-speed
<b>Chain</b>	KMC S1
<b>Front hub</b>	Steel
<b>Rear hub</b>	Steel coaster brake
<b>Rims</b>	Aluminum, 14", 16h
<b>Spokes</b>	14g, steel
<b>Tires</b>	16 x 1.95"

<b>Saddle</b>	Garneau Junior
<b>Seat post</b>	Steel, Ø25.4 mm
<b>Handlebar</b>	Aluminum, 65 mm rise, Ø22.2 mm
<b>Grips</b>	Garneau Junior
<b>Stem</b>	Aluminum, quill, 30mm, 0°
<b>Headset</b>	Threaded w/ steering limiter, 1"
<b>Brake levers</b>	Junior specific, Resin
<b>Brakes</b>	Steel, V-type
<b>Pedals</b>	Platform
<b>Accessories</b>	full wrap chainguard, training wheels
<b>Sizes</b>	OS
<b>Color</b>	9SO/ Space Mineral

## Geometries

Size	OS
A- Seat tube length C/TOP	216
B- Effective top tube length	397
C- Chainstay length C/C	300
D- Head tube height	90
E- Seat tube angle	69°
F- Head tube angle	69°
G- Bottom bracket drop	5
H- Fork rake	25
I- Trail	52
J- Standover height	432
K- Wheelbase	721
L- Stack	330
M- Reach	270





## Specifications

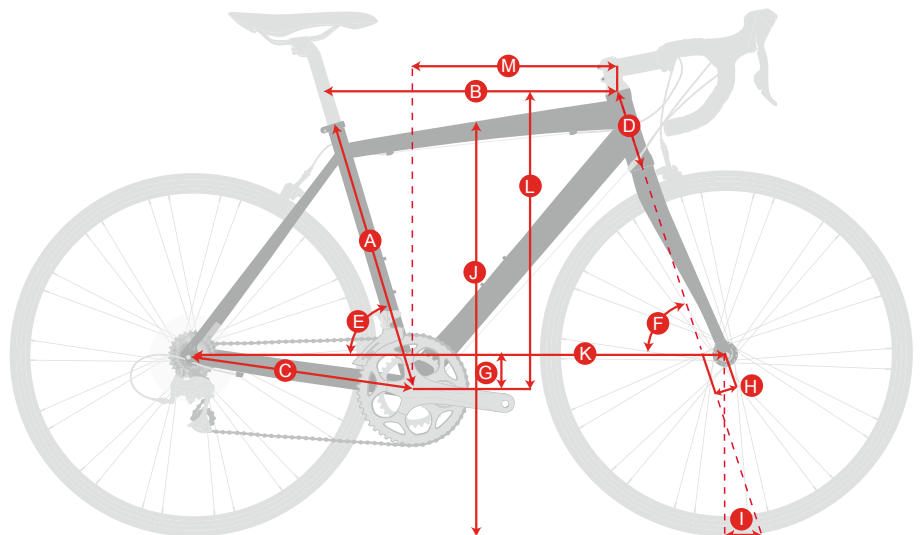
F-16 • LIBIK0042

<b>Frame</b>	HTS steel
<b>Fork</b>	HTS steel
<b>Shift levers</b>	N/A
<b>Front derailleur</b>	N/A
<b>Rear derailleur</b>	N/A
<b>Crankset</b>	Steel, 3-pcs, 28T
<b>Bottom bracket</b>	square taper, 68 x 116mm
<b>Cassette</b>	Freewheel 18T, 1-speed
<b>Chain</b>	KMC S1
<b>Front hub</b>	Steel
<b>Rear hub</b>	Steel coaster brake
<b>Rims</b>	Aluminum, 14", 16h
<b>Spokes</b>	14g, steel
<b>Tires</b>	16 x 1.95"

<b>Saddle</b>	Garneau Junior
<b>Seat post</b>	Steel, Ø25.4 mm
<b>Handlebar</b>	Aluminum, 65 mm rise, Ø22.2 mm
<b>Grips</b>	Garneau Junior
<b>Stem</b>	Aluminum, quill, 30mm, 0°
<b>Headset</b>	Threaded w/ steering limiter, 1"
<b>Brake levers</b>	Junior specific, Resin
<b>Brakes</b>	Steel, V-type
<b>Pedals</b>	Platform
<b>Accessories</b>	full wrap chainguard, training wheels
<b>Sizes</b>	OS
<b>Color</b>	9TT / Dinosaur Red

## Geometries

Size	OS
A- Seat tube length C/TOP	216
B- Effective top tube length	397
C- Chainstay length C/C	300
D- Head tube height	90
E- Seat tube angle	69°
F- Head tube angle	69°
G- Bottom bracket drop	5
H- Fork rake	25
I- Trail	52
J- Standover height	432
K- Wheelbase	721
L- Stack	330
M- Reach	270





## Specifications

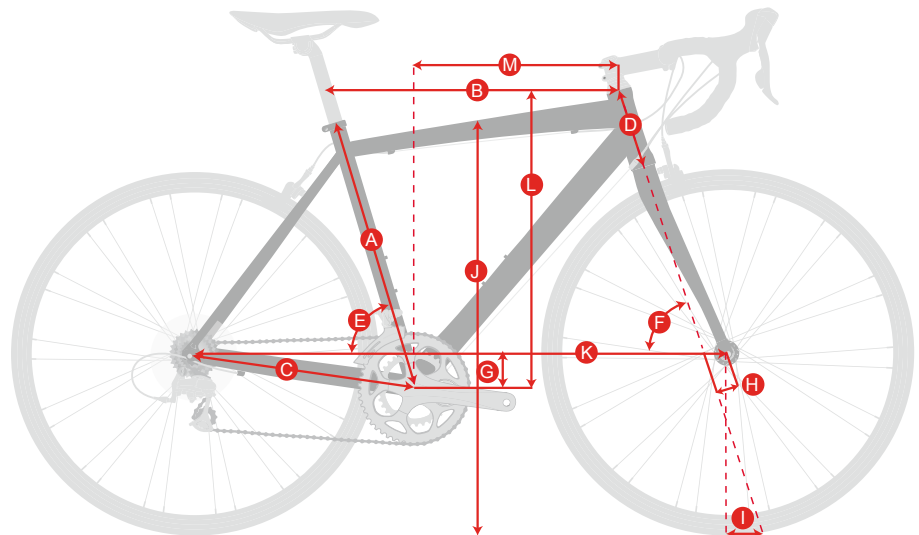
F-16 • LIBIK0042

<b>Frame</b>	HTS steel
<b>Fork</b>	HTS steel
<b>Shift levers</b>	N/A
<b>Front derailleur</b>	N/A
<b>Rear derailleur</b>	N/A
<b>Crankset</b>	Steel, 3-pcs, 28T
<b>Bottom bracket</b>	square taper, 68 x 116mm
<b>Cassette</b>	Freewheel 18T, 1-speed
<b>Chain</b>	KMC S1
<b>Front hub</b>	Steel
<b>Rear hub</b>	Steel coaster brake
<b>Rims</b>	Aluminum, 14", 16h
<b>Spokes</b>	14g, steel
<b>Tires</b>	16 x 1.95"

<b>Saddle</b>	Garneau Junior
<b>Seat post</b>	Steel, Ø25.4 mm
<b>Handlebar</b>	Aluminum, 65 mm rise, Ø22.2 mm
<b>Grips</b>	Garneau Junior
<b>Stem</b>	Aluminum, quill, 30mm, 0°
<b>Headset</b>	Threaded w/ steering limiter, 1"
<b>Brake levers</b>	Junior specific, Resin
<b>Brakes</b>	Steel, V-type
<b>Pedals</b>	Platform
<b>Accessories</b>	full wrap chainguard, training wheels
<b>Sizes</b>	OS
<b>Color</b>	9RY/ Floral Purple

## Geometries

Size	OS
A- Seat tube length C/TOP	216
B- Effective top tube length	397
C- Chainstay length C/C	300
D- Head tube height	90
E- Seat tube angle	69°
F- Head tube angle	69°
G- Bottom bracket drop	5
H- Fork rake	25
I- Trail	52
J- Standover height	432
K- Wheelbase	721
L- Stack	330
M- Reach	270





## Specifications

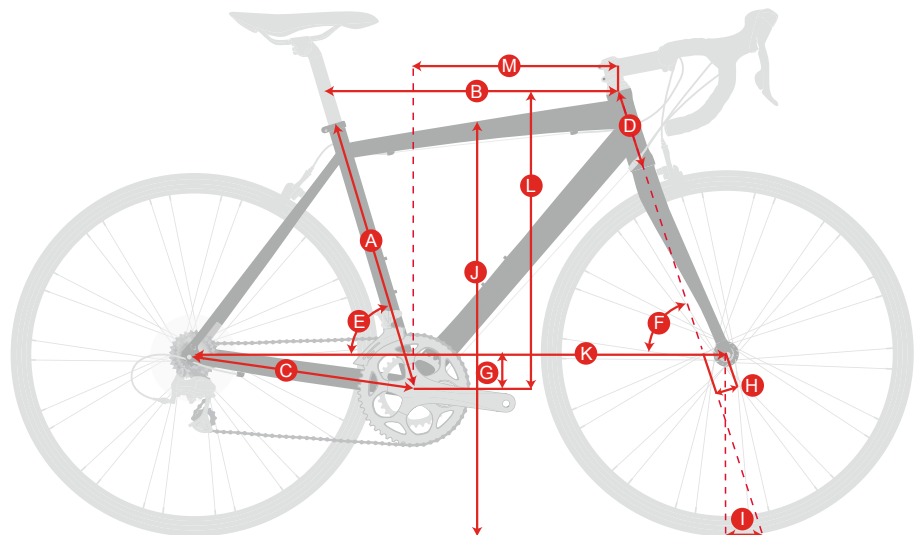
F-16 • LIBIK0042

<b>Frame</b>	HTS steel
<b>Fork</b>	HTS steel
<b>Shift levers</b>	N/A
<b>Front derailleur</b>	N/A
<b>Rear derailleur</b>	N/A
<b>Crankset</b>	Steel, 3-pcs, 28T
<b>Bottom bracket</b>	square taper, 68 x 116mm
<b>Cassette</b>	Freewheel 18T, 1-speed
<b>Chain</b>	KMC S1
<b>Front hub</b>	Steel
<b>Rear hub</b>	Steel coaster brake
<b>Rims</b>	Aluminum, 14", 16h
<b>Spokes</b>	14g, steel
<b>Tires</b>	16 x 1.95"

<b>Saddle</b>	Garneau Junior
<b>Seat post</b>	Steel, Ø25.4 mm
<b>Handlebar</b>	Aluminum, 65 mm rise, Ø22.2 mm
<b>Grips</b>	Garneau Junior
<b>Stem</b>	Aluminum, quill, 30mm, 0°
<b>Headset</b>	Threaded w/ steering limiter, 1"
<b>Brake levers</b>	Junior specific, Resin
<b>Brakes</b>	Steel, V-type
<b>Pedals</b>	Platform
<b>Accessories</b>	full wrap chainguard, training wheels
<b>Sizes</b>	OS
<b>Color</b>	ON7 / Beach Orange

## Geometries

Size	OS
A- Seat tube length C/TOP	216
B- Effective top tube length	397
C- Chainstay length C/C	300
D- Head tube height	90
E- Seat tube angle	69°
F- Head tube angle	69°
G- Bottom bracket drop	5
H- Fork rake	25
I- Trail	52
J- Standover height	432
K- Wheelbase	721
L- Stack	330
M- Reach	270





## Specifications

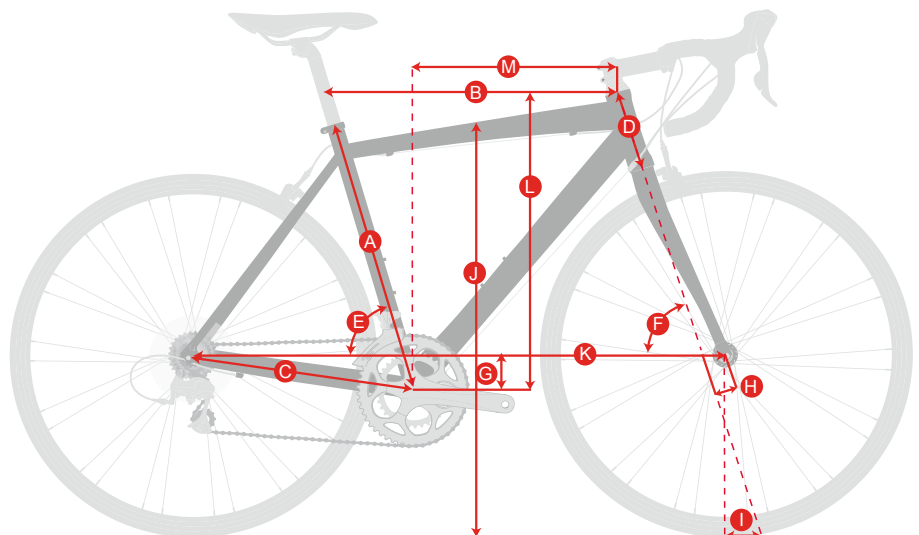
F-14 · LIBIK0043

<b>Frame</b>	HTS steel
<b>Fork</b>	HTS steel
<b>Shift levers</b>	N/A
<b>Front derailleur</b>	N/A
<b>Rear derailleur</b>	N/A
<b>Crankset</b>	Steel, 3-pcs, 28T
<b>Bottom bracket</b>	square taper, 68 x 116mm
<b>Cassette</b>	Freewheel 18T, 1-speed
<b>Chain</b>	KMC S1
<b>Front hub</b>	Steel
<b>Rear hub</b>	Steel coaster brake
<b>Rims</b>	Aluminum, 14", 16h
<b>Spokes</b>	14g, steel
<b>Tires</b>	14" x 1,95"

<b>Saddle</b>	Garneau Junior
<b>Seat post</b>	Steel, Ø25.4 mm
<b>Handlebar</b>	Aluminum, 65 mm rise, Ø22.2 mm
<b>Grips</b>	Garneau Junior
<b>Stem</b>	Aluminum, quill, 30 mm, 0°
<b>Headset</b>	Threaded w/ steering limiter, 1"
<b>Brake levers</b>	Junior specific, Resin
<b>Brakes</b>	Steel, V-type
<b>Pedals</b>	Platform
<b>Accessories</b>	full wrap chainguard, training wheels
<b>Sizes</b>	OS
<b>Color</b>	9Sy/ Pink Fox

## Geometries

Size	OS
A- Seat tube length C/TOP	190
B- Effective top tube length	355
C- Chainstay length C/C	265
D- Head tube height	80
E- Seat tube angle	69°
F- Head tube angle	69°
G- Bottom bracket drop	5
H- Fork rake	25
I- Trail	42
J- Standover height	383
K- Wheelbase	649
L- Stack	300
M- Reach	240





## Specifications

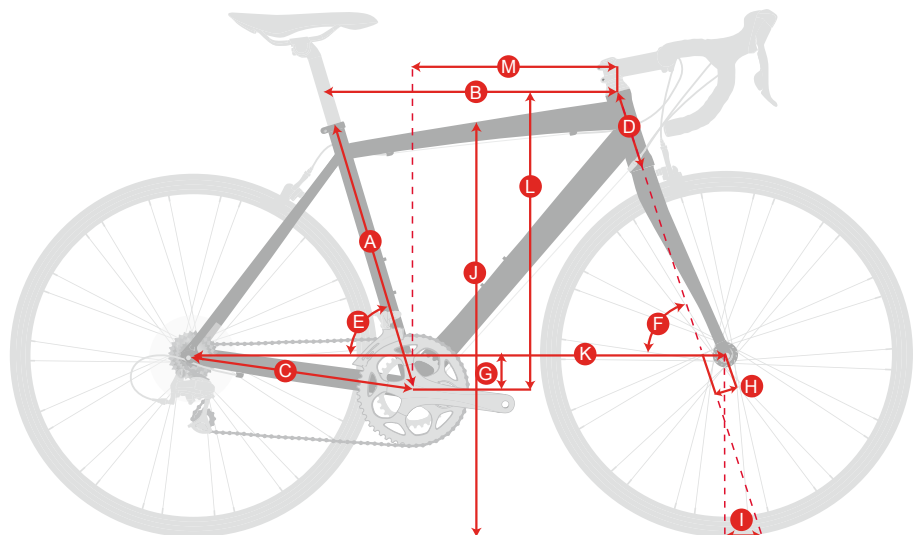
F-14 · LIBIK0043

<b>Frame</b>	HTS steel
<b>Fork</b>	HTS steel
<b>Shift levers</b>	N/A
<b>Front derailleur</b>	N/A
<b>Rear derailleur</b>	N/A
<b>Crankset</b>	Steel, 3-pcs, 28T
<b>Bottom bracket</b>	square taper, 68 x 116mm
<b>Cassette</b>	Freewheel 18T, 1-speed
<b>Chain</b>	KMC S1
<b>Front hub</b>	Steel
<b>Rear hub</b>	Steel coaster brake
<b>Rims</b>	Aluminum, 14", 16h
<b>Spokes</b>	14g, steel
<b>Tires</b>	14" x 1,95"

<b>Saddle</b>	Garneau Junior
<b>Seat post</b>	Steel, Ø25.4 mm
<b>Handlebar</b>	Aluminum, 65 mm rise, Ø22.2 mm
<b>Grips</b>	Garneau Junior
<b>Stem</b>	Aluminum, quill, 30 mm, 0°
<b>Headset</b>	Threaded w/ steering limiter, 1"
<b>Brake levers</b>	Junior specific, Resin
<b>Brakes</b>	Steel, V-type
<b>Pedals</b>	Platform
<b>Accessories</b>	full wrap chainguard, training wheels
<b>Sizes</b>	OS
<b>Color</b>	9UE/ Blue Camping

## Geometries

Size	OS
A- Seat tube length C/TOP	190
B- Effective top tube length	355
C- Chainstay length C/C	265
D- Head tube height	80
E- Seat tube angle	69°
F- Head tube angle	69°
G- Bottom bracket drop	5
H- Fork rake	25
I- Trail	42
J- Standover height	383
K- Wheelbase	649
L- Stack	300
M- Reach	240





## Specifications

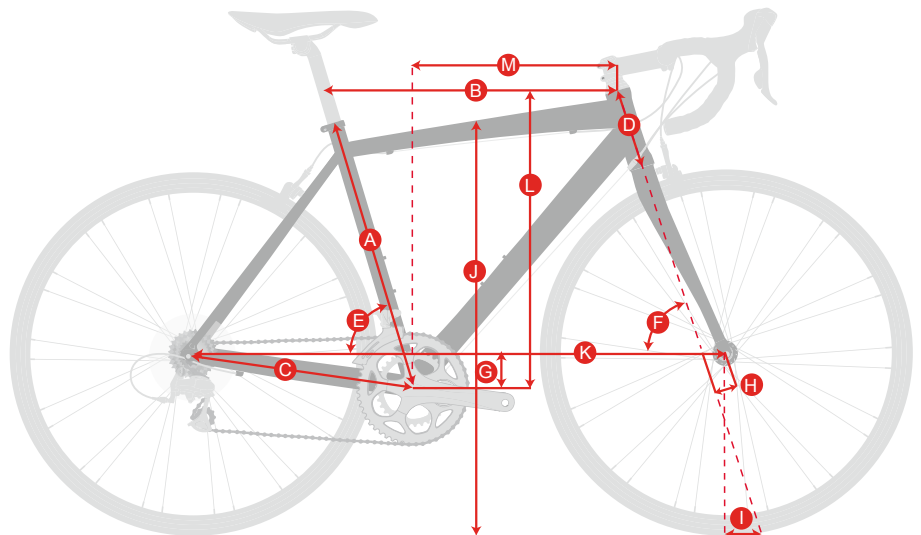
F-UN - LIBIK0044

<b>Frame</b>	HTS steel
<b>Fork</b>	HTS steel
<b>Shift levers</b>	N/A
<b>Front derailleur</b>	N/A
<b>Rear derailleur</b>	N/A
<b>Crankset</b>	N/A
<b>Bottom bracket</b>	N/A
<b>Cassette</b>	N/A
<b>Chain</b>	N/A
<b>Front hub</b>	Nylon, industrial bearing
<b>Rear hub</b>	Nylon, industrial bearing
<b>Rims</b>	Nylon 12"
<b>Spokes</b>	Nylon, 5 spokes
<b>Tires</b>	12" x 2.4", tube type

<b>Saddle</b>	Garneau Junior
<b>Seat post</b>	Integrated steel, Ø25.4 mm
<b>Handlebar</b>	Aluminum, 65mm rise, Ø22.2 mm
<b>Grips</b>	Garneau Junior
<b>Stem</b>	Aluminum, quill, 30 mm, 0°
<b>Headset</b>	Threaded w/ steering limiter, 1"
<b>Brake levers</b>	Junior specific, Resin
<b>Brakes</b>	N/A
<b>Pedals</b>	N/A
<b>Accessories</b>	N/A
<b>Sizes</b>	OS
<b>Color</b>	9SY / Turquoise & purple

## Geometries

Size	OS
A- Seat tube length C/TOP	90
B- Effective top tube length	308
C- Chainstay length C/C	238
D- Head tube height	70
E- Seat tube angle	72°
F- Head tube angle	69°
G- Bottom bracket drop	10
H- Fork rake	30
I- Trail	26,2
J- Standover height	TBA
K- Wheelbase	649
L- Stack	266
M- Reach	216





## Specifications

F-UN · LIBIK0044

<b>Frame</b>	HTS steel
<b>Fork</b>	HTS steel
<b>Shift levers</b>	N/A
<b>Front derailleur</b>	N/A
<b>Rear derailleur</b>	N/A
<b>Crankset</b>	N/A
<b>Bottom bracket</b>	N/A
<b>Cassette</b>	N/A
<b>Chain</b>	N/A
<b>Front hub</b>	Nylon, industrial bearing
<b>Rear hub</b>	Nylon, industrial bearing
<b>Rims</b>	Nylon 12"
<b>Spokes</b>	Nylon, 5 spokes
<b>Tires</b>	12" x 2.4", tube type

<b>Saddle</b>	Garneau Junior
<b>Seat post</b>	Integrated steel, Ø25.4 mm
<b>Handlebar</b>	Aluminum, 65mm rise, Ø22.2 mm
<b>Grips</b>	Garneau Junior
<b>Stem</b>	Aluminum, quill, 30 mm, 0°
<b>Headset</b>	Threaded w/ steering limiter, 1"
<b>Brake levers</b>	Junior specific, Resin
<b>Brakes</b>	N/A
<b>Pedals</b>	N/A
<b>Accessories</b>	N/A
<b>Sizes</b>	OS
<b>Color</b>	9TX / Red & blue

## Geometries

Size	OS
A- Seat tube length C/TOP	90
B- Effective top tube length	308
C- Chainstay length C/C	238
D- Head tube height	70
E- Seat tube angle	72°
F- Head tube angle	69°
G- Bottom bracket drop	10
H- Fork rake	30
I- Trail	26,2
J- Standover height	TBA
K- Wheelbase	649
L- Stack	266
M- Reach	216

